

# Operating Instructions

English	②	Operating Instructions and Parts List
Français	⑨	Mise en marche de votre robot nettoyeur de piscine
Deutsch	①⑥	Bedienungsanleitung für den automatischen Bodensauger
Italiano	②③	Funzionamento del nuovo robot di pulizia per piscine
Español	③⑦	Manejo de Limpiafondos de Piscina
Português	③⑦	Manual de instruções



Robotic Pool Cleaner  
Nettoyeur de Piscine  
Automatischer Schwimmbeckenreiniger  
Limpiafondos de Piscina  
Aspirador Automático de Piscina  
Robot di Pulizia per Piscine



# ENGLISH

## IMPORTANT SAFETY INSTRUCTIONS READ AND FOLLOW ALL THE INSTRUCTIONS

**CAUTION:** Do not plug the power supply into a grounded outlet or do not switch the pool cleaner "ON" if it is not fully immersed in water. Operating the cleaner out of water will cause severe damage immediately and will result in loss of warranty.

Allow the cleaner to remain in the pool for 15 to 20 minutes following the end of its cleaning cycle. This will allow the motors to cool adequately. Do not leave the cleaner in the pool all the time. Always remember to turn the power supply "OFF" and unplug it from the power outlet before removing the cleaner from the pool.

**WARNING:** The cleaner must not be used when people are in the water. For use with swimming pool only

### Safety Note

- The unit must be supplied through a residual current device (RCD) having a rated residual operating current not exceeding 30 mA
- The connection to the branch circuit should be consistent with the local and national wiring rules (electrical code).
- Mishandling of the unit can result in leakage of lubricants.
- If the supply cord is damaged, it must be replaced by the manufacturer's service agent or a qualified and trained person in order to avoid hazards.



This appliance is not intended for use by persons (including children) with reduced physical, sensory or mental capabilities, or lack of experience and knowledge, unless they have been given supervision or instruction concerning use of the appliance by a person responsible for their safety. Children should be supervised to ensure that they do not play with the appliance.



**WARNING:** A Ground Fault Current Interrupter (GFCI-USA) or a Residual Current Device (RCD-EUROPE) must be installed to protect your electric outlet and prevent any possible electric shock.

**SAVE THESE INSTRUCTIONS**

Dear Customer,

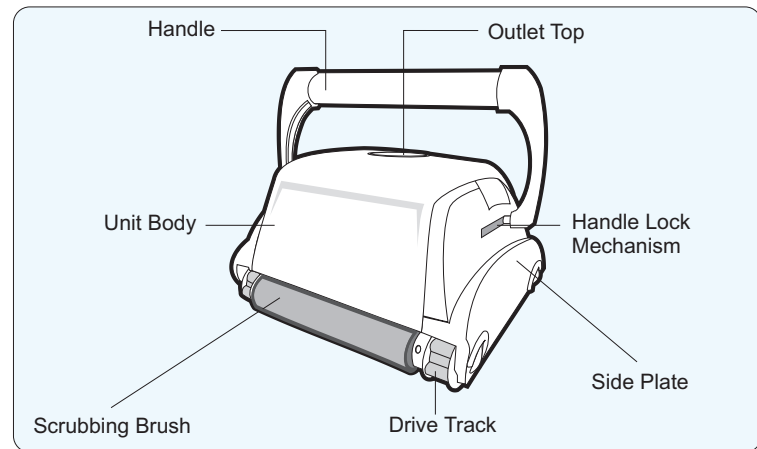
Thank you for choosing our product to clean your pool. We hope that you will enjoy using your new robot to maintain your swimming pool for years to come.

Before you begin to use your robot, please take a few minutes to carefully read these operating instructions.

Again, thank you for choosing our product.

## Components

While the appearance of your cleaner and some of its components may differ from those shown here, the function of the cleaner, operating procedures and maintenance practices are the same.



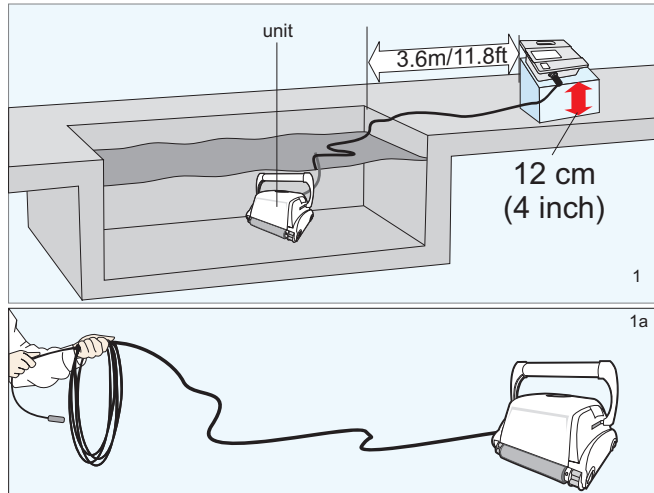
**Your new automatic pool cleaner contains:**

- The robotic pool cleaner with its floating cable.
- The Power Supply (transformer).
- Cart (optional)

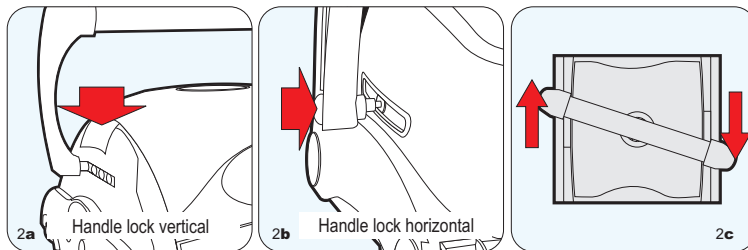
**Please read this manual completely before operating your pool cleaner.**

## Operating the pool cleaner

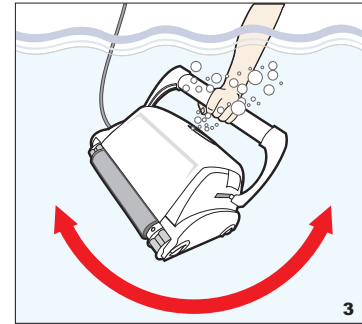
1. Place the power supply (transformer) at least 3.6 meters / 11.8 feet from the pool and at least 12 cm / 4 inch above the surface (fig.1). The transformer will supply low voltage to the cleaner.
2. Uncoil the cable.(fig.1a)



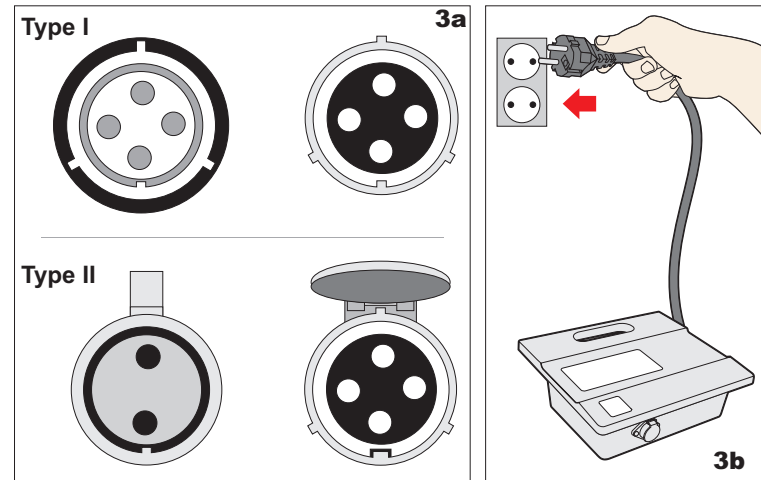
3. For proper operation, lock the moveable handle diagonally across the top of the cleaner's body. Push down on the **handle lock** mechanism and slide the handle all the way to the end (recommended one slot before the end), then release the lock. Depending on your model, the handle lock button might be **vertical or horizontal** (fig.2a, 2b). The handle will remain fixed in this position. Repeat this process on the other side of the cleaner.  
Remember, the handle must be fixed diagonally (fig.2c)



4. Place the unit in the water. Turn the unit side to side in the water to allow air to escape from the body and then let the cleaner sink to the bottom of the pool (fig.3). Then, spread the cable over the surface of the pool as evenly as possible (fig.1).



5. Plug the cable into the power supply. Depending on your model (**Type I** or **Type II**), make sure the key on the plug corresponds exactly with the key slot on the socket of the power supply (fig.3a). Plug the power supply into a grounded outlet. Ensure that the electric outlet has been properly grounded (fig.3b). Press the "ON" button on the power supply. The light will glow indicating that the system is "ON" and the pool cleaner will start the cleaning cycle. The unit keeps record of the number of cleaning cycles. Only an authorized service center can display the accumulated cleaning cycles. (See details on the next page)

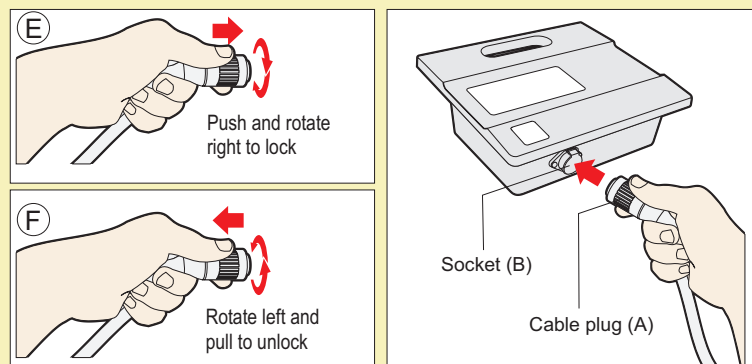
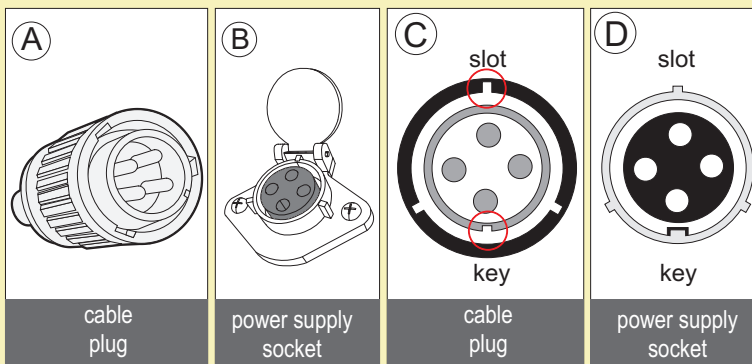


## Operating the pool cleaner

### Plugs Type I

To plug the cable (Fig A) into the socket on the power supply (Fig. B), please do the following:

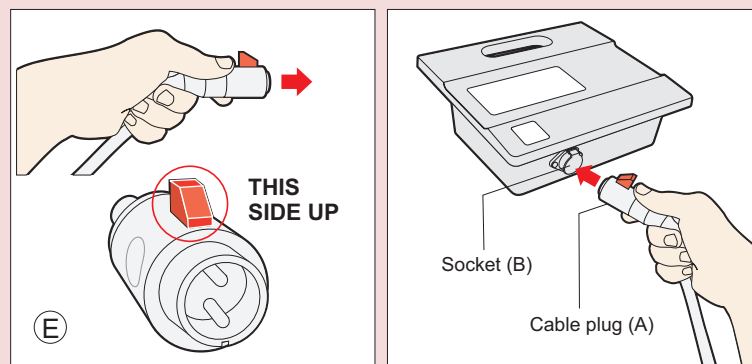
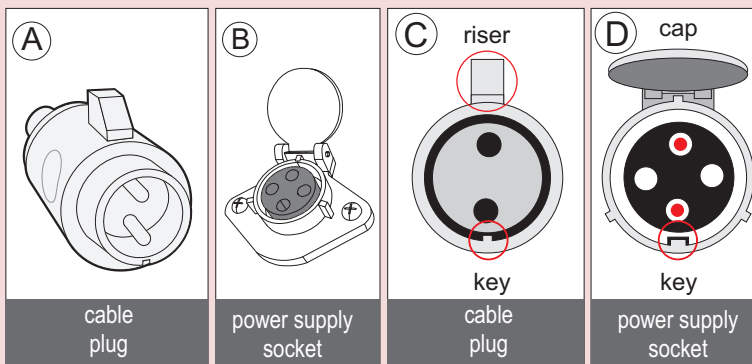
1. Prepare the plug as seen in (Fig. C) with the key and 3 outside slots exactly as shown.
2. Fit exactly the key and the slots from cable plug with the corresponding key and slots from the power supply socket. (Fig. D)
3. Push the plug into the socket of the power supply all the way in.
4. Once the plug is in, rotate the plug to the right to lock it into place (Fig. E).
5. To remove the plug, first rotate the plug to the left to unlock it, then pull it out (Fig. F).



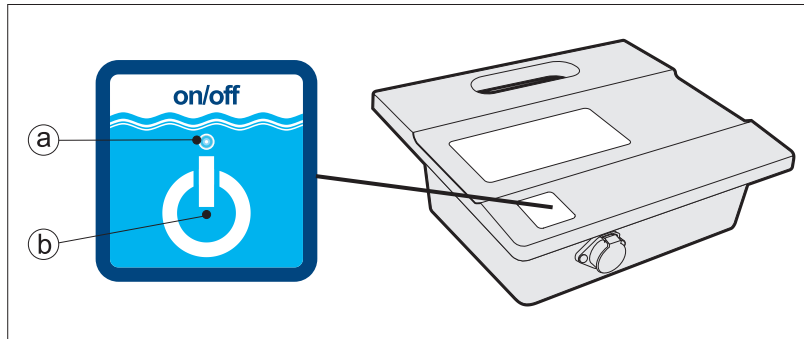
### Plugs Type II

To plug the cable (Fig A) into the socket on the power supply (Fig. B), please do the following:

1. Prepare the plug as seen in (Fig. C) with the key and the riser exactly as shown.
2. The riser should face up (Fig. E) in order to keep the socket cap open. The cap will lock the cable in place.
3. Fit exactly the key with the corresponding key slot from the power supply socket. Although the socket has 4 holes, only the top and the bottom one will be used (Fig. D)
4. Push the plug into the socket of the power supply all the way in. After inserting the plug all the way, the cap should be pressed on it to secure it.
5. To remove the plug, you need to lift the cap, and then pull.



## Operating the pool cleaner



### a. Power LED

The blue LED flashes when the power supply is in standby mode and lights continuously when the pool cleaner is operating. The power button switches between ON and STANDBY.

### b. "POWER" button

The button switches between "ON" and "STANDBY".

**IMPORTANT**-After every cycle the pool cleaner will automatically go to "standby". In case you want to turn the machine off during the working cycle, press the "power" button once and the LED will start flashing, indicating that the machine has stopped running.

### IMPORTANT:

Please be sure to always keep your pool cleaner properly stored anywhere between 10 to 40 degrees Celsius (50 to 104 degrees Fahrenheit). This will keep the motors, plastics and seals protected. Failure to comply will result in loss of warranty.

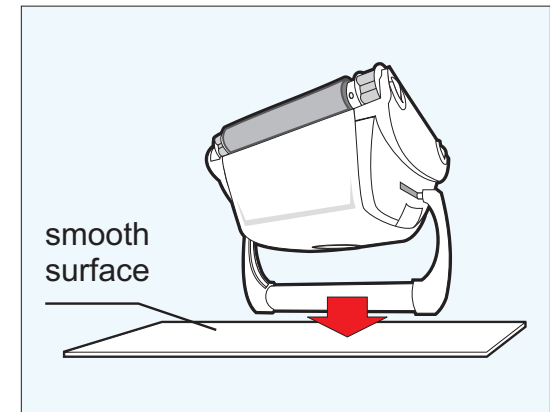
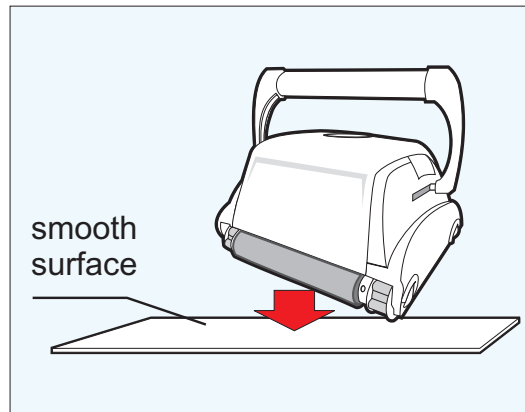
Robot can be used in water with temperatures ranging from 13°C to 35°C (55°F to 95°F). However, the recommended optimal temperature is between 22°C and 32°C (72°F and 90°F).

## Maintenance and adjustment

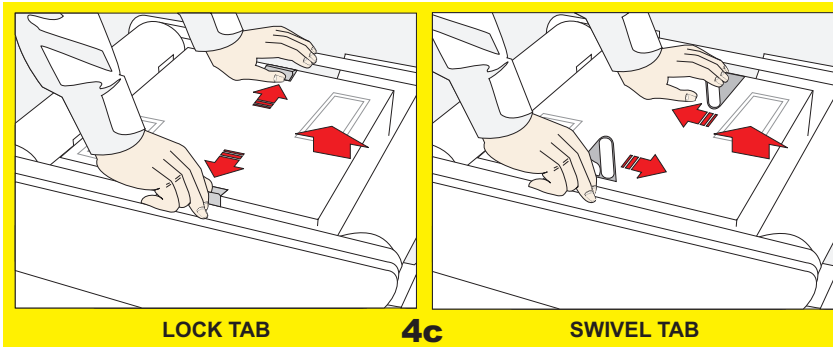
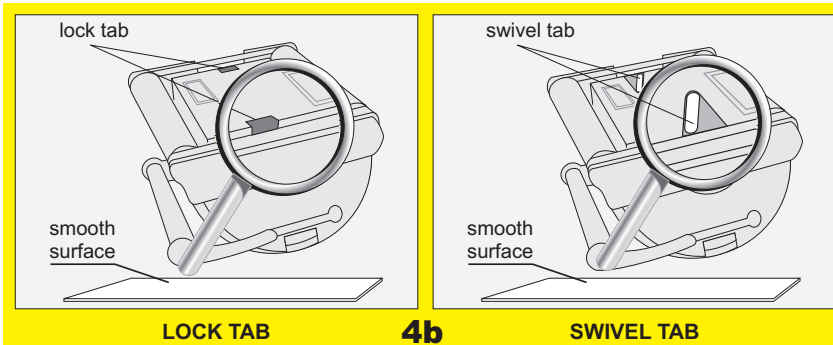
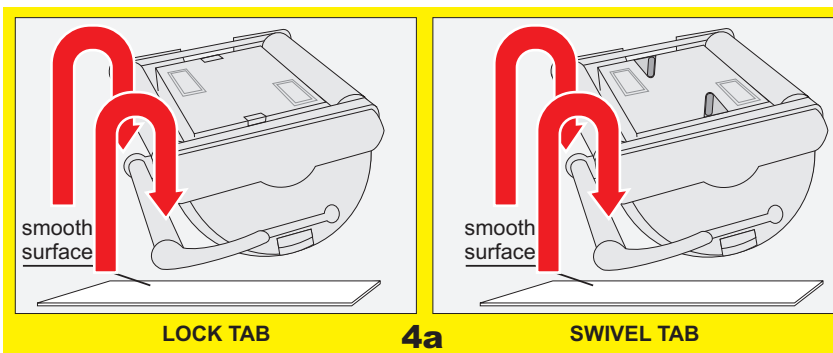
### CAUTION:

To avoid scratches and other blemishes appearing on your robot, simply find a smooth surface for it to rest on when cleaning the debris bag or performing minor adjustments.

These scratches could produce changes in the robot's soft and smooth edges resulting in potential damage to some flexible pool surfaces.



## Maintenance and adjustment



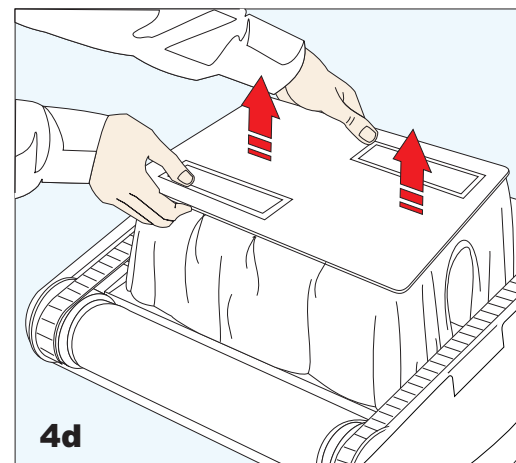
### CLEAN THE FILTER BAG AFTER EVERY CLEANING CYCLE

- Unplug the power supply. (Please keep the plug away from contact with water)
- If the unit is in the pool, gently pull the cleaner toward you using the cable until the handle is within reach. Use the handle (not the cable) to pull the cleaner out of the pool after allowing most of the water to drain from the unit.
- Lay the unit on its back on a smooth surface (in order to prevent scratches on the machine body), release the lock tabs and remove the bottom lid assembly. (fig.4a, 4b, 4c, 4d)

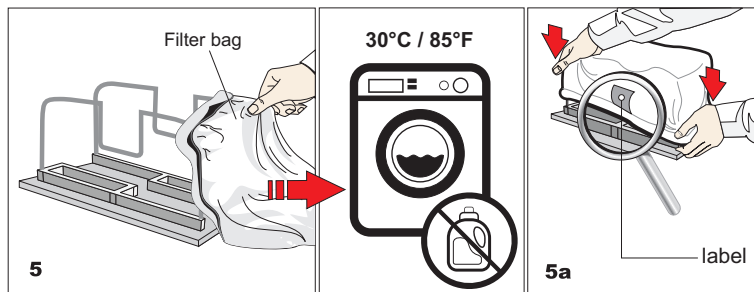
*(continue on the next page)*

#### NOTE:

Depending on your model, there are 2 types of bottom lid releasing mechanisms: LOCK TAB or SWIVEL TAB. Please follow the instructions diagram according to your model.



## Maintenance and adjustment

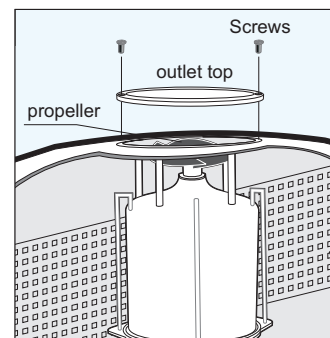
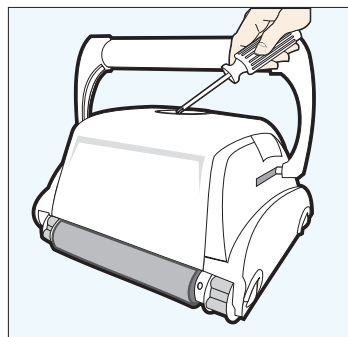


(continued from the previous page)

- d. Remove the filter bag from the support bars, turn it inside out and wash off all the dirt with a garden hose or in a sink. Squeeze the bag gently until the rinse water is clear. If necessary, machine wash the bag using only **cold water with NO DETERGENT!** (fig.5)
- e. Re-install the bag on the support bars with the label in the center of one of the long sides of the bottom lid (5a)
- f. Re-install the bottom lid assembly in the body. Push down on it until lock tabs will snap into place properly.

### IMPORTANT TIPS:

- Shut off and unplug the power supply every time you remove the cleaner from the water.
- Clean the filter bag after every cycle.
- Reverse the handle after every cleaning cycle to avoid tangling the cable.
- Periodically straighten out the floating cable.
- Replace worn brushes to ensure maximum cleaning performance
- Make sure that your pool cleaner positions itself properly on the wall. The machine handle must rest parallel to the water line upon reaching the surface of the water.
- Save your cleaner's packaging for off-season storage or for shipping the unit to your dealer if service is required.
- Leave your pool cleaner in the water for 15 to 20 minutes after every cleaning cycle.
- **Do not leave your cleaner in direct sunlight when not in use.**
- **Never leave the power supply in direct sunlight and avoid leaving it in the rain.**
- Occasionally, you should rinse your cleaner in clean, fresh water. This will lengthen the service life of the drive belts, drive tracks and scrubbing brushes.
- **Clean the propeller once a month**



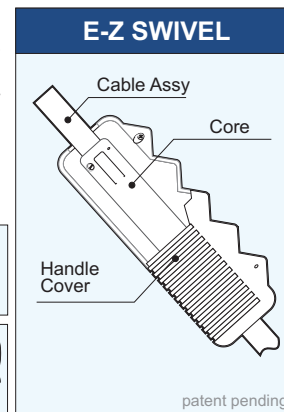
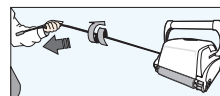
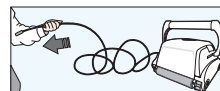
### Cleaning the pump propeller:

- 1) Take out the 2 (4) screws from the outlet top
- 2) Take out the outlet top and remove hair and other debris around propeller

### CABLE CARE

The cable may become twisted after a period of time in use. To correct this condition, simply lock the moveable handle on the top of the cleaner in the opposite diagonal direction. The pool cleaner will now travel in the opposite direction while cleaning your pool and the cable will uncoil. Check the cable periodically for external damage. If the problem persists, use the E-Z Swivel device.

Place the robot on the ground and unplug the cable from the transformer. With one hand, holding the E-Z Swivel, walk away from the robot, pulling the cable to its full length. The core will rotate inside the cover and in this way will untangle the cable.



## Troubleshooting Guide

PLEASE CHECK THE FOLLOWING BEFORE CALLING YOUR SERVICE CENTER

Before troubleshooting, the pool cleaner must be disconnected from the power supply and the power supply must be unplugged from the electrical outlet to prevent damage to the unit and possible personal injury.

For reference numbers, consult the parts list diagram located on the last page of the instructions.

### 1. Unit does not pump water or move:

- Check to see if electric outlet (22) has power.
- Check if transformer (16) is plugged into a grounded outlet and the blue cable assembly is plugged into the transformer.\*
- Switch the power supply "OFF" and "ON" a few times. Allow 45 seconds between "ON" and "OFF".
- Check for and remove any debris such as hair, string, or leaves that may be obstructing the free movement of the Drive Pulley (5), Drive Belts (6), or Drive Tracks (7).
- Check that the Drive Belts (6) and Drive Tracks (7) are properly aligned and are taut. Adjust or replace if necessary.

### 2. Unit does not pump water at all, or pumps slowly but moves:

- Check to see if propeller (1) is seized due to accumulation of hair or debris on the propellers. Remove the top screws on each outlet top (1) and clean the propeller. When reassembling the top cover, do not overtighten the screws.
- Check to see if the filter bag (12) is thoroughly clean. Clean as necessary.
- If a and b are negative, check the pump motors (2). If they are not functioning send the unit to your service center.

### 3. Unit does not move but does pump water:

- Check to see if forward/reverse motion is obstructed by foreign matter; hair, debris, etc. on drive belts (6) or drive tracks (7) or there is an entanglement with the power cord. Clean as necessary.
- Check if drive belts (6) have slipped out of place. Also check for proper tension of drive belts (6). If necessary replace belts.
- Check for loose drive motor (3) connections.
- If a, b, and c are negative, check the Master and Slave motors. If one or the other is not functioning, send the unit to your service center.

### 4. Unit does not pick up dirt and debris:

- Check 2a and 2b of this guide.
- Check the Intake Valve Flaps (23) on the underside of your unit. The Flaps should move freely to open and close. Clean and free the Valve Flaps (23) if necessary.

### 5. Unit does not seem to cover the entire pool:

- Most likely a thorough cleaning of the filter bag (12) is needed.
- Check to see that the blue cable (15) is properly spread out and is untangled.
- Allow the unit to run in the pool for the entire cleaning cycle.
- Make sure that the Floating Handle (14) is locked diagonally across the top of your unit's body.
- Check that the Pump Motor (2) is operating. Please refer to the Troubleshooting section titled "**Moves But Does Not Pick Up Dirt And Debris**".
- After following all of the above, if there is still a problem, call your dealer for specific additional assistance.

### 6. Debris Comes Out Of The Aquabot When Removing It From Pool (Bottom Lid Does Not Close Properly)

- Lock Tabs (24) - Check that the Lock Tabs (24) are not warped. They should be straight and aligned with the unit's body.
- Intake Valves (23) - Check that the Intake Valve Flaps on the underside of your unit (in the Bottom Lid) move freely to open and close. Clean Flaps if necessary.

### 7. The cable is twisted:

- Reverse the diagonal position of the handle.
- Use the E-Z Swivel (see "Cable Care" chapter)

\*The transformer cord can only be replaced with the aid of special purpose tools normally available only to authorized dealers, distributors and service centers.



# FRANÇAIS

## CONSIGNES DE SÉCURITÉ IMPORTANTES LIRE ET SUIVRE TOUTES LES INSTRUCTIONS

**ATTENTION :** Ne pas brancher le bloc d'alimentation à une prise de terre ou ne pas mettre le nettoyeur de piscine sur « MARCHÉ » s'il n'est pas totalement immergé dans l'eau. L'utilisation du nettoyeur hors de l'eau cause immédiatement de sérieux dégâts et se traduit par une perte de garantie.

Laisser le nettoyeur dans la piscine pendant 15 à 20 minutes à la fin de son cycle de nettoyage. Cela permettra aux moteurs de refroidir convenablement. Ne pas laisser le nettoyeur dans la piscine tout le temps. Rappelez-vous toujours de mettre l'alimentation sur « ARRÊT » et de débrancher la prise de courant avant de retirer le nettoyeur de la piscine.

**AVERTISSEMENT :** Le nettoyeur ne doit pas être utilisé lorsqu'il y a des gens dans l'eau. À utiliser dans une piscine uniquement

### Note de sécurité

- L'appareil doit être alimenté par un dispositif différentiel à courant résiduel (DDR) ayant un fonctionnement nominal de courant résiduel ne dépassant pas 30 mA.
- Le raccordement au circuit de dérivation doit être compatible avec les règles de câblage locales et nationales (code de l'électricité).
- Une mauvaise manipulation de l'appareil peut entraîner des fuites de lubrifiants.
- Si le cordon d'alimentation est endommagé, il doit être remplacé par un agent de maintenance du fabricant ou une personne qualifiée et formée afin d'éviter les dangers.



Cet appareil n'est pas destiné à être utilisé par des personnes (y compris les enfants) dont les capacités physiques, sensorielles ou mentales sont réduites, ou qui manquent d'expérience et de connaissances, à moins qu'elles n'aient bénéficié de surveillance ou d'instructions concernant l'utilisation de l'appareil de la part d'une personne responsable de leur sécurité. Les enfants doivent être surveillés pour s'assurer qu'ils ne jouent pas avec l'appareil.



**AVERTISSEMENT :** un interrupteur de défaut à la terre (GFCI-USA) ou un dispositif différentiel à courant résiduel (DDR-Europe) doit être installé pour protéger votre prise électrique et éviter tout risque d'électrocution.

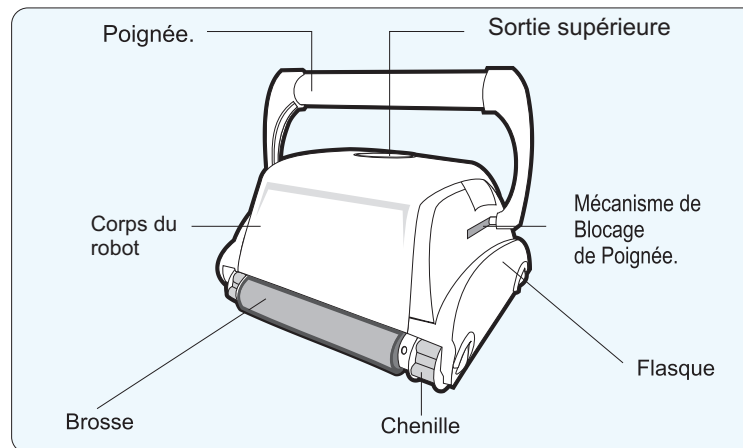
**CONSERVEZ CES INSTRUCTIONS**

Chers clients,  
Nous vous remercions d'avoir choisi notre produit pour nettoyer votre piscine. Nous espérons que vous utiliserez votre nouveau nettoyeur pour maintenir votre piscine durant plusieurs années. Avant de commencer à utiliser votre nettoyeur, veuillez prendre quelques minutes afin de lire soigneusement les instructions de fonctionnement.

De nouveau, merci d'avoir choisi notre produit.

## Composants

Bien que l'apparence de votre nettoyeur et certains de ses composants puissent différer de ce qui est décrit ici, son emploi, les méthodes d'utilisation et d'entretien sont les mêmes.



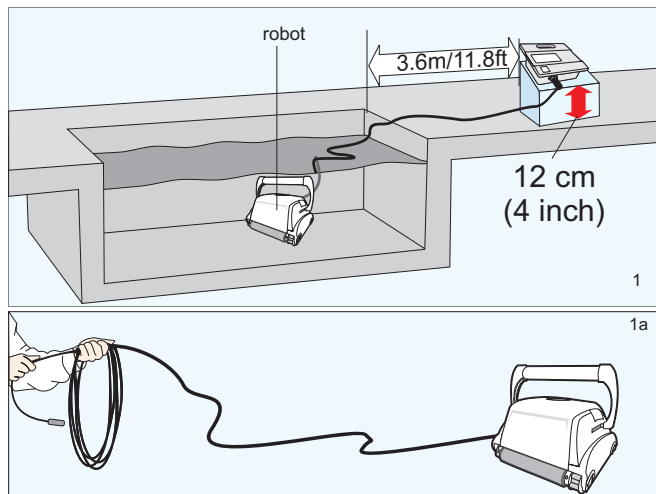
**Le nouveau nettoyeur vous est livré avec :**

- Un câble électrique flottant.
- Un transformateur. L'appareil fonctionne à basse tension.
- Chariot (optionnel).

**Veuillez lire entièrement ce manuel avant la mise en marche:**

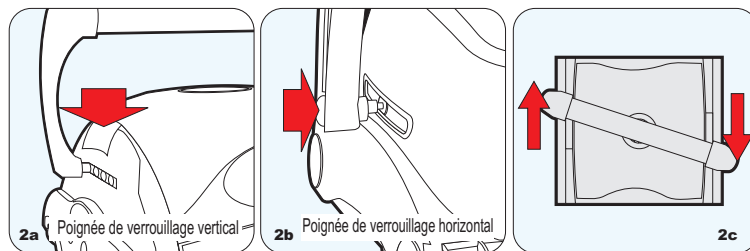
## Instructions de fonctionnement des nettoyeurs de piscine

1. Placez l'unité d'alimentation (transformateur) à 3,6 mètres/11.8 pieds au moins de la piscine et à 12 cm/4 pouces au-dessus de la surface (fig.1). Le transformateur va alimenter le robot avec une basse tension.
2. Déroulez le câble (fig. 1a)

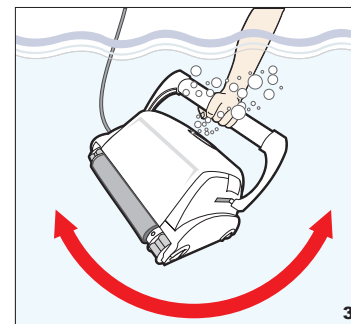


3. Pour un bon fonctionnement, verrouillez la poignée mobile en diagonale au travers de la partie supérieure du corps du robot. Appuyez sur le mécanisme de verrouillage de la poignée et faites glisser la poignée vers l'extrémité (dernière fente avant la fin recommandée) puis relâchez le mécanisme de verrouillage. Selon le modèle, le bouton de verrouillage de la poignée pourrait être verticale ou horizontale (fig.2a, 2b). La poignée va rester fixe dans sa position. Recommencez ce processus de l'autre côté du robot.

N'oubliez pas que la poignée doit être installée en diagonale (fig.2c)

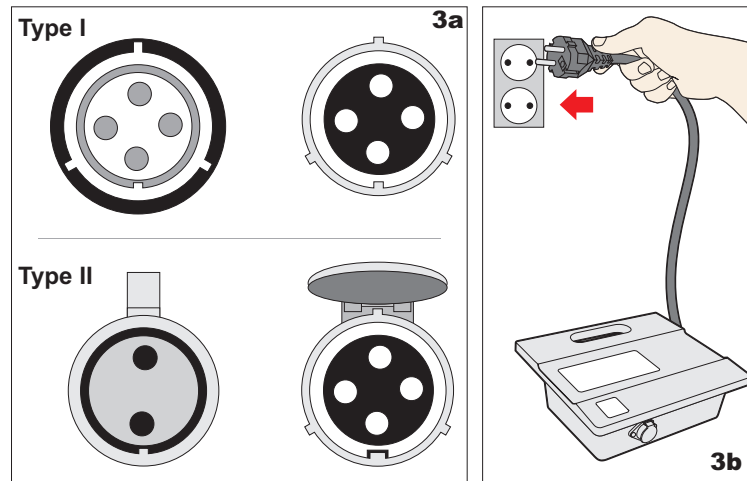


4. Placer l'appareil dans l'eau en le portant par la poignée. Balancer l'appareil d'un côté à l'autre afin de permettre à l'air de s'en échapper, puis laisser l'appareil descendre au fond de la piscine. Déployer ensuite le câble sur la surface de la piscine, d'une manière aussi régulière que possible (fig. 3).



5. Branchez le câble d'alimentation. Selon votre modèle (Type I ou II), vérifiez que le détrompeur de la fiche fournie correspond exactement à la fente de la prise secteur (Fig.3a).

Branchez le bloc d'alimentation à une prise mise à la terre. Vérifiez que la prise électrique a été correctement mise à la terre (Fig.3b). Appuyez sur le bouton « MARCHE » de l'alimentation. La lumière s'allume indiquant que le système est en « MARCHE » ; le nettoyeur de piscine est prêt entamer le cycle de nettoyage. L'appareil enregistre le nombre de cycles de nettoyage. Seul un centre de service agréé peut afficher les cycles de nettoyage cumulés. (Voir la page suivante pour les détails)

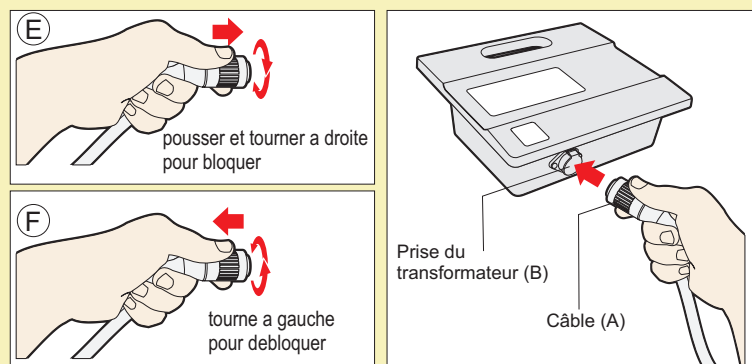
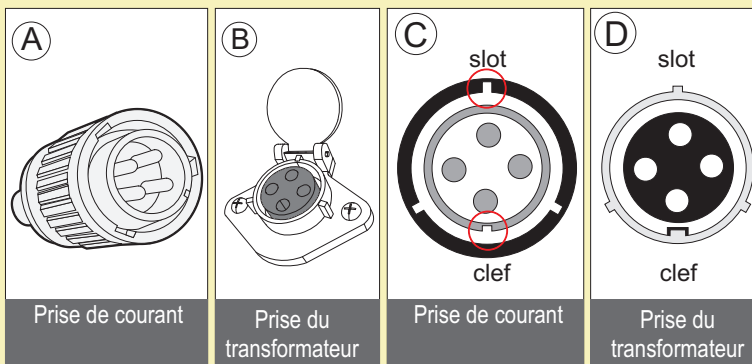


# Instructions de fonctionnement des nettoyeurs de piscine

## Fiches de Type I

Veillez suivre les étapes suivantes pour **brancher le câble** (Figure A) dans la prise secteur (Fig. B) :

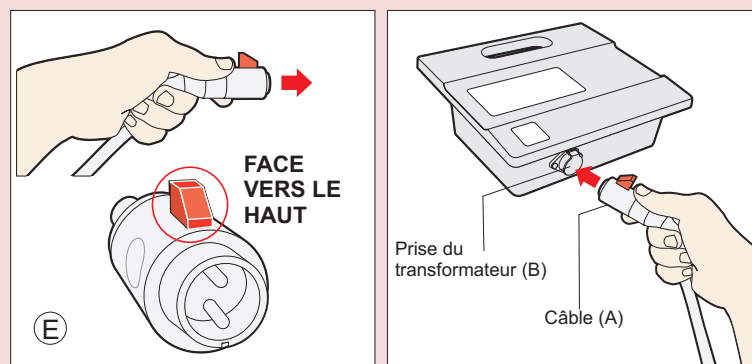
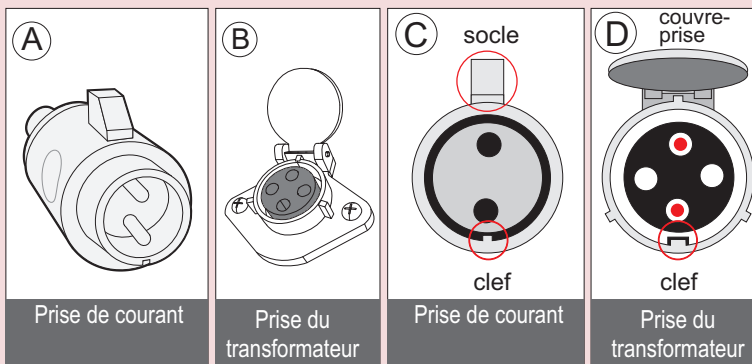
1. Préparez la fiche tel qu'illustré plus haut (Fig. C) avec le détrompeur et les 3 fentes externes selon les indications.
2. Faites correspondre exactement le détrompeur et les fentes de la fiche du câble avec le détrompeur et les fentes correspondants de la prise secteur. (Fig. D)
3. Enfoncez la fiche dans la prise murale à fond
4. Une fois la fiche branchée, faites tourner le bouchon vers la droite pour la verrouiller (Fig. E).
5. Pour débrancher la fiche, tournez-la d'abord vers la gauche pour la déverrouiller, puis tirez-la (Fig. F).



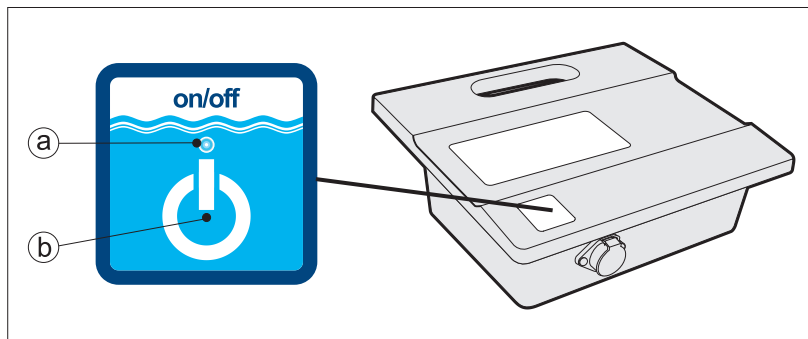
## Fiches de Type II

Veillez suivre les étapes suivantes pour **brancher le câble** (Figure A) dans la prise secteur (Fig. B) :

1. Préparez la fiche tel qu'illustré plus haut (Fig. C) avec le détrompeur et le socle exactement selon les indications.
2. Le socle doit faire face vers le haut (Fig. E) afin de garder le couvre-prise ouvert. Le couvre-prise verrouillera le câble.
3. Faites correspondre exactement le détrompeur avec la fente correspondante de la prise secteur. Bien que la prise comporte 4 trous, seuls celui du haut et celui du bas seront utilisés (Fig. D)
4. Enfoncez la fiche dans la prise secteur à fond. Après cette action, vous devez appuyer le couvre-prise sur elle pour la sécuriser.
5. Pour retirer la fiche, vous devez relever le couvre-prise, puis tirer.



## Instructions de fonctionnement des nettoyeurs de piscine



### a. Témoin de mise sous tension

Le témoin de mise sous tension de couleur bleue clignote lorsque l'alimentation est en mode veille et s'allume en permanence lorsque le nettoyeur de piscine fonctionne. L'interrupteur d'alimentation peut être réglé sur « MARCHE » et « VEILLE »

### b. Bouton « MARCHE »

L'interrupteur d'alimentation peut être réglé sur « MARCHE » et « VEILLE. »

**IMPORTANT** - À l'issue de chaque cycle, le nettoyeur de piscine se met automatiquement en mode « veille ». Dans le cas où vous souhaitez éteindre la machine pendant le cycle de travail, appuyez sur le bouton « marche » une fois et le témoin de mise sous tension se mettra à clignoter, indiquant que la machine est à l'arrêt.

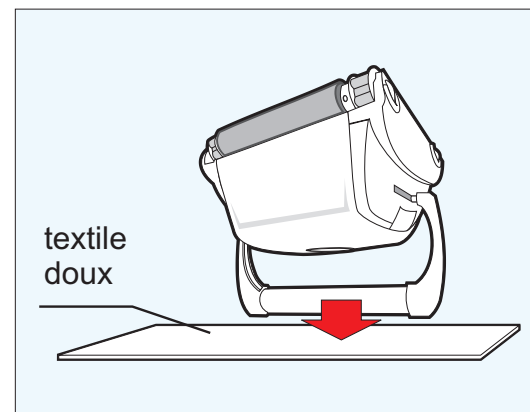
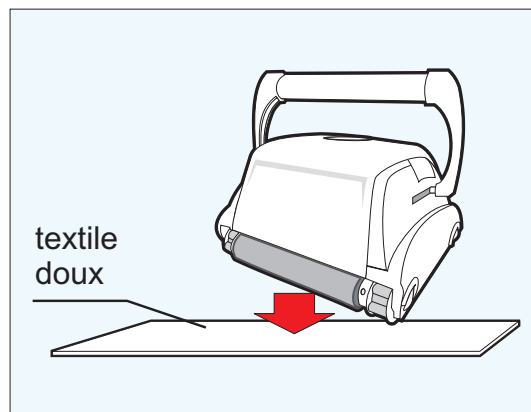
### IMPORTANT:

Veillez vous assurer que la température de stockage de votre appareil soit entre 10 et 40 degrés Celsius (50 et 104 degrés Fahrenheit). C'est seulement ainsi que les moteurs, les pièces en plastique et les joints d'étanchéité seront dûment protégés. En cas d'omission du stockage à la température recommandée, la garantie sera annulée. Le robot peut être utilisé dans de l'eau dont la température est comprise entre 13°C et 35°C (55°F - 95°F). Cependant, la température optimale recommandée s'établit entre 22°C et 32°C (72°F - 90°F).

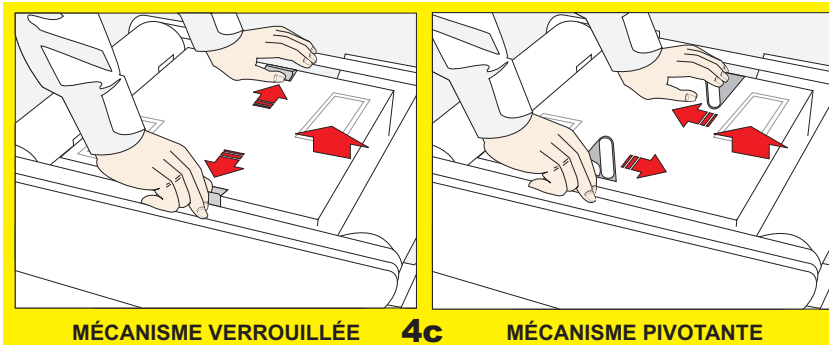
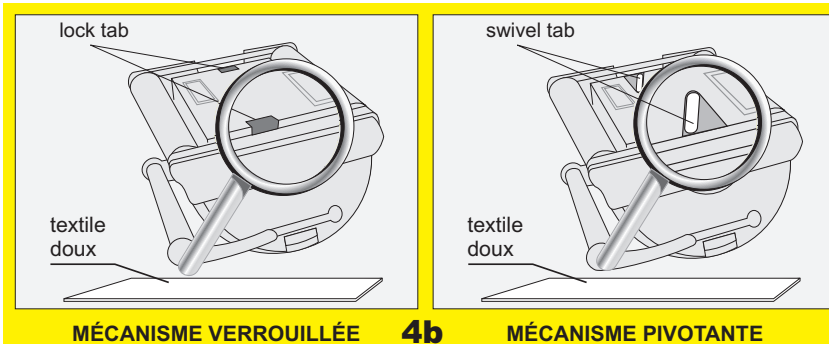
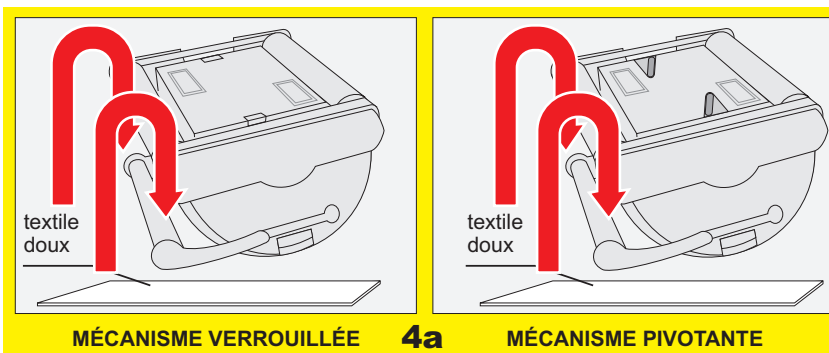
## Entretien et réglage des nettoyeurs piscine

### ATTENTION :

Afin d'éviter les éraflures sur la coque de votre robot, lorsque vous le renversez, veillez à le poser sur une surface douce. En effet, celles-ci pourraient endommager le revêtement de votre piscine à force de frottement.



## Entretien et réglage des nettoyeurs piscine



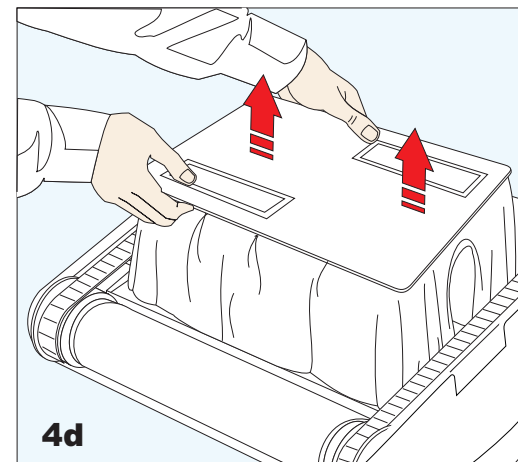
### NETTOYER LE FILTRE APRÈS CHAQUE CYCLE DE NETTOYAGE

- Débranchez le transformateur.
- Si l'appareil est dans la piscine tirer-le par le câble vers vous avec beaucoup de soin, jusqu'à ce que vous puissiez saisir la poignée. Utiliser seulement la poignée (surtout pas le câble) pour le faire sortir de l'eau ensuite pauser l'appareil afin que la plus grosse quantité d'eau s'évacue de l'appareil.
- Renversez l'appareil sur une surface lisse (afin de ne pas endommager l'appareil), Déverrouillez et enlevez le couvercle inférieur (fig.4a, 4b, 4c, 4d).

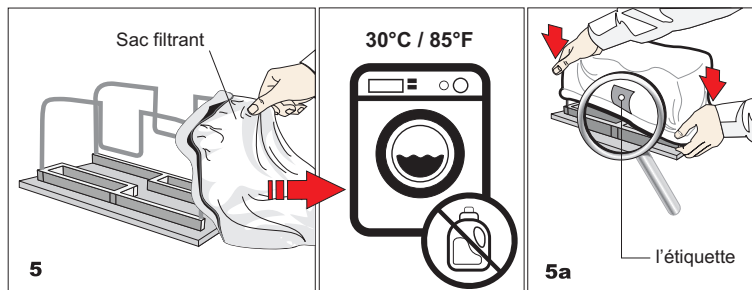
(suite à la prochaine page)

#### NOTE:

En fonction du modèle, il existe 2 types de couvercles inférieurs donnant accès aux mécanismes : Attache **VERROUILLÉE** ou **PIVOTANTE**. Veuillez vous référer au croquis correspondant à votre modèle.



## Entretien et réglage des nettoyeurs piscine

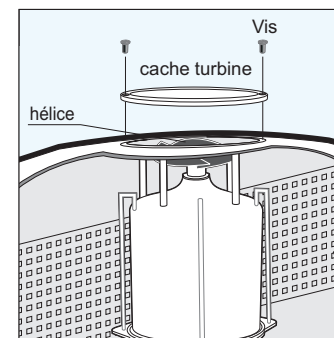
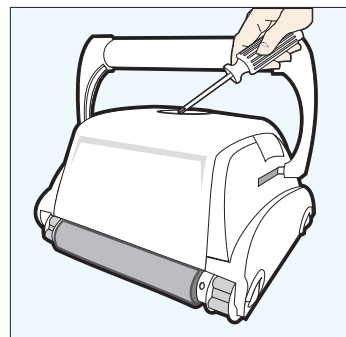


(suite de la page précédente)

- d. Retirez le filtre des barres de support, le tourner à l'envers et le laver au jet d'eau ou dans un l'évier. Lavez et essorer délicatement le filtre jusqu'à ce que l'eau soit propre. Si nécessaire, laver le filtre à la machine en utilisant uniquement l'eau froide et SANS AUCUN DETERGENT (fig. 5).
- e. Réinstaller le filtre sur les barres de support avec l'étiquette placée au milieu de l'un des côtés du support complet (fig. 5a).
- f. Réinstallez le support complet dans l'appareil. Appuyez sur le support et l'assemblage se remettra en place automatiquement.

### CONSEILS IMPORTANTS:

- Eteignez et débranchez le transformateur avant de sortir l'appareil de l'eau.
- Nettoyez le filtre après chaque cycle de nettoyage.
- Inversez la position de la poignée après chaque cycle pour éviter l'enroulement du câble.
- Redressez périodiquement le câble flottant à la surface de l'eau.
- Remplacez les brosses usées, pour assurer un nettoyage de qualité.
- Vérifiez que l'appareil se pose correctement sur la paroi de la piscine. La poignée doit rester parallèle à la ligne de surface de l'eau.
- Conservez l'emballage de l'appareil pour le ranger ou pour le renvoyer en cas d'éventuelles réparations.
- Laissez l'appareil dans l'eau pour 15 à 20 minutes après chaque cycle de nettoyage.
- **Ne laissez pas votre appareil au soleil quand vous ne l'utilisez pas.**
- **Ne jamais laisser le transformateur au soleil.**
- Rincez régulièrement l'appareil à l'eau claire et propre. Ceci accroîtra la durée de vie des courroies, des chenilles et des brosses.
- **Nettoyez l'hélice une fois par mois**



### Nettoyage de l'hélice de la pompe :

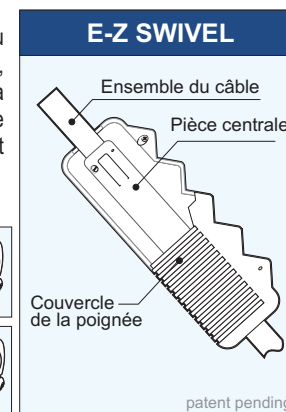
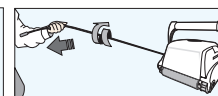
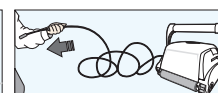
- 1) Dévissez les vis qui maintiennent le cache turbine.
- 2) Nettoyez les éventuels cheveux ou autres saletés.

### ENTRETIEN DU CÂBLE

Le câble peut s'entortiller après un certain temps d'utilisation. Afin de le délayer, simplement bloquez la poignée mobile du nettoyeur dans la direction diagonale opposée. Le nettoyeur avancera maintenant dans la direction opposée tout en nettoyant votre piscine et le câble sera déroulé. Il est bien de contrôler le câble de temps en temps, afin de dépister des dommages extérieures.

Si le câble ne se délace pas, utilisez le E-Z pivot.

Mettez le robot sur le sol et débranchez le câble du transformateur. En tenant à la main le E-Z pivot, éloignez-vous du robot tout en tirant le câble jusqu'à ce qu'il soit complètement déroulé. La pièce centrale se fera tourner à l'intérieur du couvercle et ainsi le câble sera démantelé.



## Manuel de dépannage

MERCI DE VERIFIER LES POINTS SUIVANTS AVANT DE FAIRE APPEL A VOTRE SAV

Avant tout le robot doit être déconnecté du transformateur qui doit aussi être débranché afin d'empêcher des dommages mécaniques et corporels. Pour les No. de référence, consultez le diagramme de liste des pièces situé sur la dernière page des instructions.

### 1. Le robot ne pompe pas l'eau mais bouge :

- a) Vérifiez que la sortie électrique est correcte,
- b) Vérifiez que le transformateur est bien branché à une prise de terre et que la connexion transformateur/câble flotteur\* soit bonne,
- c) Mettez le système hors tension et en marche après quelque temps. Patientez 45 secondes avant de passer de l'état «ON» et à l'état «OFF».
- d) Enlevez les débris possibles tels que des feuilles, des cheveux ou des fibres qui pourraient obstruer la bonne marche des courroies d'entraînement ou des chenilles.
- e) Contrôlez que les courroies d'entraînement (6) et les chenilles soient bien alignées et tendues. Régler ou remplacer si nécessaire.

### 2. Le robot ne pompe pas d'eau du tout, ou pompe lentement mais bouge :

- a) Vérifiez que l'hélice (1) n'est pas obstruée par un amas de cheveux ou autres. Enlevez chacune des vis du cache turbine et nettoyez si nécessaire. Faites attention de ne pas trop serrer les vis en refermant.
- b) Vérifiez si le sac filtrant (12) est propre, le nettoyer au besoin.
- c) Si les étapes précédentes sont correctes, alors vérifiez la pompe moteur(2). Si ça ne fonctionne pas, envoyez le robot au centre SAV.

### 3. Le robot ne bouge pas mais la pompe aspire :

- a) Renversez le robot et vérifiez qu'il n'y ait pas de corps étranger qui obstrue : cheveux, débris, etc. sur les courroies d'entraînement (6) ou les chenilles (7) ou bien le câble flotteur enroulé. Nettoyez si nécessaire.
- b) Contrôlez que les courroies d'entraînement soient bien en place et vérifiez leur tension, les replacer si nécessaire.
- c) Vérifiez le raccordement du moteur (3)
- d) Si les étapes précédentes sont correctes, alors vérifiez la pompe moteur(2). Si ça ne fonctionne pas, envoyez le robot au centre SAV.

### 4. Le robot ne prend pas la saleté et les débris :

- a) Vérifiez le 2a et le 2b sur le guide.
- b) Contrôlez que les deux volets du porte-filtre (23) sous le robot bougent librement. Ils doivent s'ouvrir et se fermer sans entrave. Les décoincer au besoin.

### 5. Le robot ne semble pas couvrir toute la piscine :

- a) Il faut probablement procéder à un nettoyage du sac filtrant.
- b) Vérifiez que le câble flotteur est correctement déroulé. c) Vérifiez qu'aucun obstacle n'entrave la progression du robot dans la piscine et n'arrêtez pas le robot avant la fin de son cycle.
- d) Assurez vous que la poignée supérieure du robot soit correctement positionnée en diagonale.
- e) Vérifiez que le moteur pompe fonctionne (2), dans le cas contraire, référez vous au paragraphe 4.
- f) Si après avoir suivi ces instructions, le problème persiste, veuillez contacter votre revendeur.

### 6. Les saletés s'échappent du robot lorsque vous le sortez de la piscine (le couvercle inférieur ne se ferme pas correctement)

- a) Vérifiez que les clips de fixation sont bien enclencher au support filtre.
- b) Contrôlez que les deux volets du porte-filtre (23) sous le robot bougent librement. Ils doivent s'ouvrir et se fermer facilement. Les décoincer au besoin.

### 7. Le câble flotteur est vrillé :

- a) Inversez la diagonale de la poignée.
- b) Utilisez le pivot E-Z comme démontré ci-dessous. (Voir le chapitre "entretien du câble")

\*le câble du transformateur ne peut être remplacé qu'avec l'aide d'outils spéciaux disponibles uniquement chez nos distributeurs, revendeurs et les centres SAV autorisés.

## WICHTIGE SICHERHEITSHINWEISE BITTE LESEN UND BEFOLGEN SIE ALLE ANWEISUNGEN

**ACHTUNG:** Schließen Sie die Stromversorgung nicht an eine geerdete Steckdose an oder schalten Sie nicht den Schwimmbeckenreiniger auf "ON (AN)", wenn er nicht vollständig im Wasser eingetaucht ist. Das Betätigen des Reinigers außerhalb des Wassers führt sofort zu ernsthaften Schäden und zum Verlust der Garantie.

Belassen Sie den Reiniger im Schwimmbecken zwischen 15 und 20 Minuten bis zum Ende seines Reinigungszyklus. Dadurch werden die Motoren ausreichend gekühlt. Belassen Sie den Reiniger aber nicht die ganze Zeit im Schwimmbecken. Denken Sie immer daran, die Stromversorgung auf "OFF (AUS)" zu schalten und den Stromanschluss aus der Netzsteckdose zu ziehen, bevor Sie den Reiniger aus dem Schwimmbecken entfernen.

**VORSICHT:** Verwenden Sie Ihren Reiniger nur für Schwimmbecken und verwenden Sie ihn nicht, während sich Menschen im Wasser befinden.

### Sicherheitshinweis

- Das Gerät muss mit einem Fehlerstromschutzschalter (RCD) ausgestattet sein, der einen restlichen Nennbetriebsstrom von 30 mA nicht überschreitet.
- Der Anschluss zum Abzweigstromkreis sollte mit den örtlichen und nationalen Verdrahtungsvorschriften (Sicherheitsstandard für Elektroinstallationen) übereinstimmen.
- Falsche Bedienung des Gerätes kann zum Auslaufen von Schmiermitteln führen.
- Sollte das Netzkabel beschädigt sein, muss es von einem Wartungsservice des Herstellers oder einer qualifiziert-ausgebildeten Person ersetzt werden, um Gefahren zu vermeiden.



Der Umgang mit diesem Elektrogerät ist für Personen (einschließlich Kinder) mit körperlichen, sensorischen oder geistigen Einschränkungen, oder mit mangelnden Erfahrungen und Kenntnissen nicht geeignet, außer wenn sie beim Umgang mit dem Gerät von einer für ihre Sicherheit verantwortlichen Person beaufsichtigt und angeleitet werden. Kinder sollten beaufsichtigt werden, um das Spielen mit dem Elektrogerät zu verhindern.



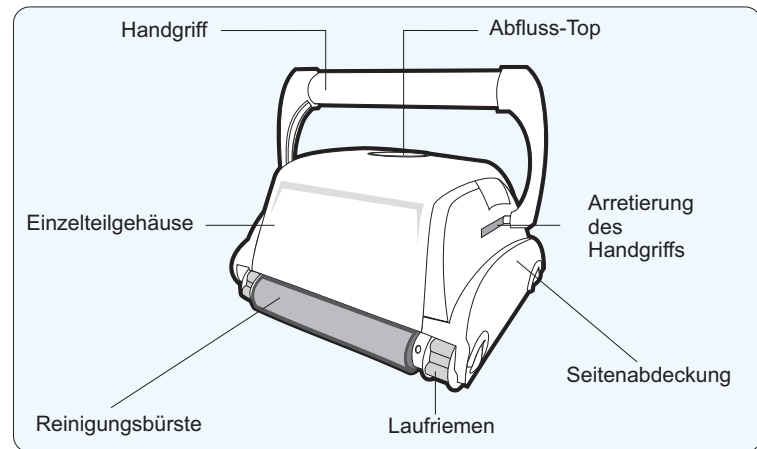
**VORSICHT:** Ein Erdschlussstromunterbrecher (GFCI-USA) oder ein Fehlerstromschutzschalter (RCD-EUROPE) muss installiert werden, um Ihre Steckdose zu schützen und mögliche Stromschläge zu verhindern.

## BEWAHREN SIE DIESE ANWEISUNGEN

Sehr geehrter Kunde,  
Herzlichen Glückwunsch zum Kauf unseres Produkt. Wir hoffen, dass Ihnen Ihr neuer Reiniger über Jahre hinaus die Reinigung Ihres Schwimmbeckens erleichtern wird. Bitte nehmen Sie sich ein paar Minuten Zeit um diese Bedienungsanleitung aufmerksam und vollständig zu lesen, bevor Sie Ihren Reiniger benutzen.  
Vielen Dank, dass Sie sich für den unseren Reiniger entschieden haben.

## Bestandteile

Trotz äußerlicher Unterschiede Ihres Reinigers und seiner Bestandteile zu dem hier Abgebildeten, sind die Funktion, Bedienung und Wartung für beide die gleichen.



**Ihr neuer automatischer Schwimmbeckenreiniger besteht aus:**

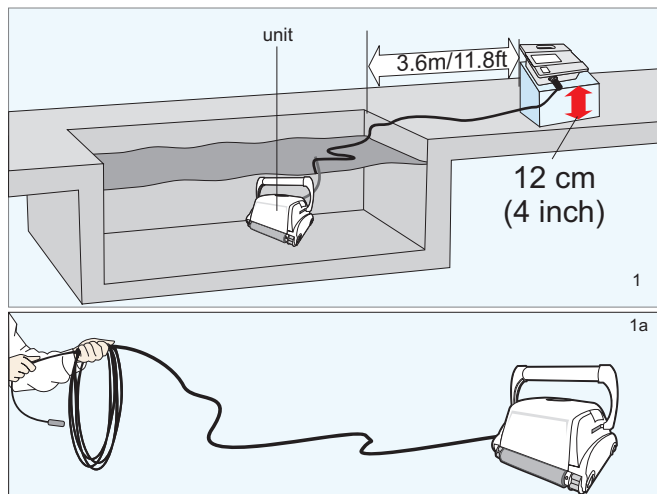
- Reiniger mit Schwimmkabel.
- Transformator. Das Gerät läuft mit Niederspannung.
- Transportwagen (optional)

**Bitte lesen Sie diese Anleitung vor der Inbetriebnahme Ihres Reiniger vollständig durch.**

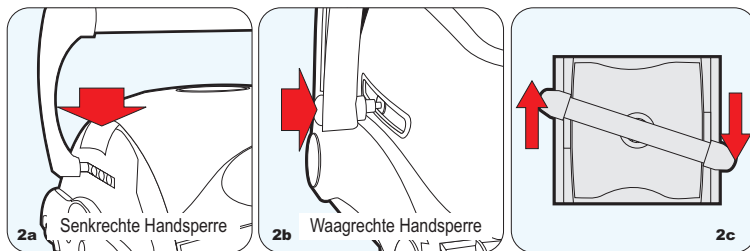


## Bedienung des Schwimmbeckenreinigers

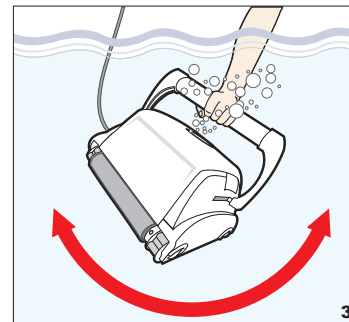
1. Stellen Sie die Stromversorgung (Transformator) mindestens 3,6 Meter vom Schwimmbecken und mindestens 12 cm über der Oberfläche (Abb.1) auf. Die Stromversorgung versorgt den Reiniger mit Niederspannung.
2. Wickeln Sie das Kabel (Abb. 1a) ab.



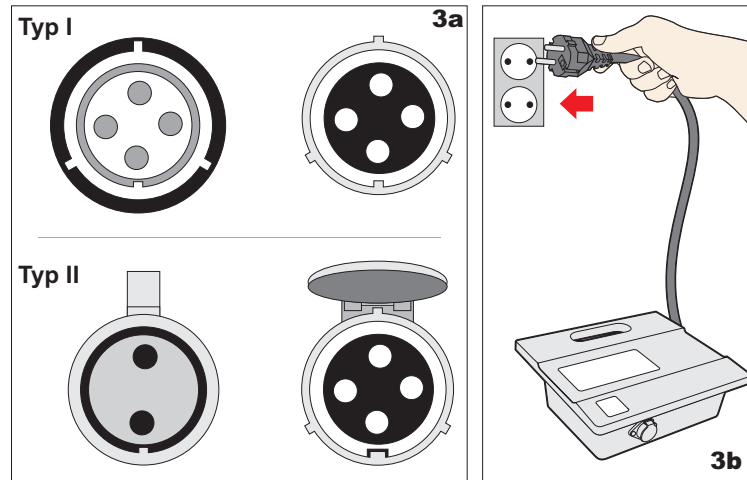
3. Rasten Sie den beweglichen Griff diagonal zum Oberteil des Reinigergehäuses ein. Drücken Sie den Verriegelungsmechanismus des Griffs herunter und gleiten Sie ihn bis zum Ende (empfohlen wird ein Schlitz vor dem Ende), danach lösen Sie die Verriegelung. Je nach Modell könnte der Verriegelungsknopf des Griffs vertikal oder horizontal sein (Abb. 2a, 2b). Der Griff verbleibt fest in dieser Position. Wiederholen Sie diesen Vorgang auf der anderen Seite des Reinigers. Denken Sie daran, der Griff muss diagonal (Abb. 2c) befestigt werden.



4. Das Gerät ins Wasser halten und hin- und herbewegen, damit die Luft aus dem Gehäuse entweichen kann. Danach den Reiniger auf den Boden des Beckens sinken lassen (3) und das Kabel so gleichmässig wie möglich auf der Wasseroberfläche auslegen (1).



5. Stecken Sie das Kabel in die Stromversorgung. Achten Sie je nach Modell (Typ I oder Typ II) darauf, dass der Keil auf dem Stecker genau mit der Keilnut auf der Anschlussbuchse der Stromversorgung (Abb. 3a) übereinstimmt. Schließen Sie die Stromversorgung an eine geerdete Steckdose an und achten Sie darauf, dass die Steckdose ordnungsgemäß geerdet wurde (Abb. 3b). Drücken Sie die "ON (AN)"-Taste auf der Stromversorgung. Die LED-Anzeige leuchtet ständig auf, d. h., dass das System "EINGESCHALTET" ist und der Schwimmbeckenreiniger den Reinigungszyklus beginnt. Das Gerät zeichnet die Anzahl der Reinigungszyklen auf. Nur ein autorisierter Kundendienst kann die angesammelten Reinigungszyklen anzeigen. (Mehr Angaben dazu auf der nächsten Seite)

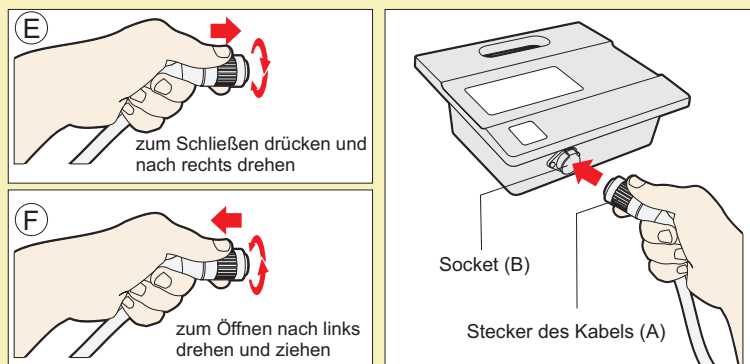
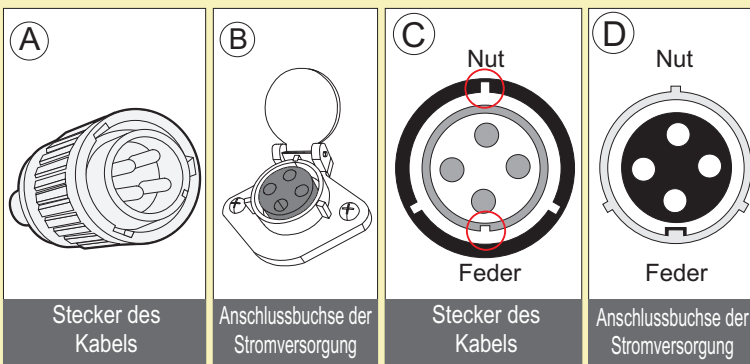


# Bedienung des Schwimmbeckenreinigers

## Stecker Typ I

Zum Anschließen des Kabels (Abb. A) an die Anschlussbuchse der Stromversorgung (Abb. B) gehen Sie bitte folgendermaßen vor:

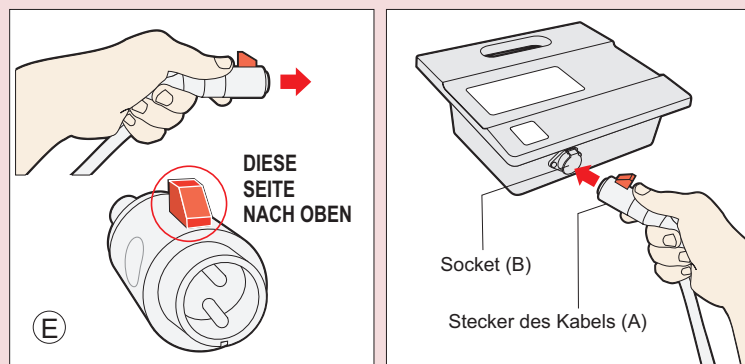
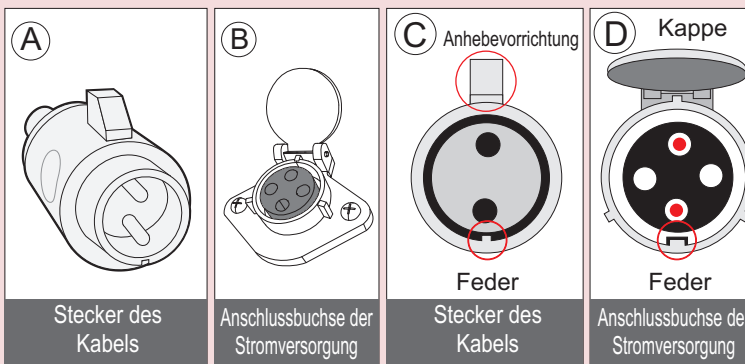
1. Handhaben Sie den Stecker so, wie in (Abb. C) mit dem Keil und den 3 Außennuten genau dargestellt.
2. Passen Sie genau den Keil und die Nuten des Kabelsteckers in den/die entsprechenden Keil und Nuten der Stromanschlussbuchse. (Abb. D)
3. Stecken Sie den Stecker in die Anschlussbuchse der Stromversorgung bis zum Anschlag.
4. Sobald der Stecker eingeführt ist, drehen Sie ihn nach rechts, damit er einrastet (Abb. E).
5. Zum Herausziehen des Steckers drehen Sie ihn zuerst nach links, damit er entriegelt wird, um ihn anschließend herauszuziehen (Abb. F).



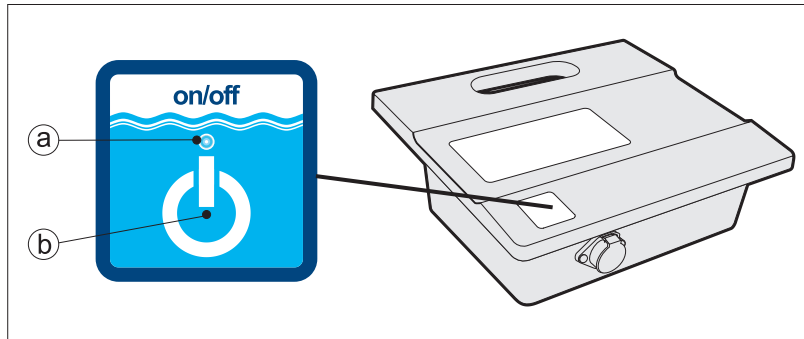
## Stecker Typ II

Zum Anschließen des Kabels (Abb. A) an die Anschlussbuchse der Stromversorgung (Abb. B) gehen Sie bitte folgendermaßen vor:

1. Handhaben Sie den Stecker so, wie in (Abb. C) mit dem Keil und der Anhebevorrichtung genau dargestellt.
2. Die Anhebevorrichtung sollte nach oben (Abb. E) zeigen, um die Kappe der Anschlussbuchse offen zu halten. Die Kappe wird das Kabel hier einrasten.
3. Passen Sie genau den Keil des Kabelsteckers in die entsprechende Keilnut der Stromanschlussbuchse. Obwohl die Anschlussbuchse 4 Kontaktlöcher besitzt, wird nur das obere und untere verwendet (Abb. D).
4. Stecken Sie den Stecker in die Anschlussbuchse der Stromversorgung bis zum Anschlag. Nach dem Hineinstecken des Steckers bis zum Anschlag sollte die Kappe zur Sicherung dagegen gedrückt werden.
5. Um den Stecker zu entfernen, müssen Sie die Kappe anheben und anschließend herauszuziehen.



## Bedienung des Schwimmbeckenreinigers



### a. Die Betriebs-LED

Die blaue LED-Anzeige blinkt, wenn die Stromversorgung im Standby-Modus ist und leuchtet ständig auf, wenn der Schwimmbeckenreiniger in Betrieb ist. Die "Power (Einschalt)"-Taste schaltet zwischen "ON (AN)" und "STANDBY (Bereitschaftsmodus)" um.

### b. "POWER (Einschalt)"-Taste

Die Taste schaltet zwischen "ON (AN)" und "STANDBY (Bereitschaftsmodus)" um.

**WICHTIG** - Nach jedem Zyklus schaltet der Schwimmbeckenreiniger automatisch in den "Standby"-Modus. Falls Sie das Gerät während des Arbeitszyklus abschalten möchten, dann müssen Sie die "Power (Einschalt)"-Taste einmal drücken und die LED-Anzeige fängt zu blinken an. Das Gerät ist nun außer Betrieb.

### WICHTIG:

Bitte achten Sie darauf, dass Ihr Poolreiniger stets ordnungsgemäß bei einer Temperatur zwischen 10 und 40 aufbewahrt wird, um die Motoren, die Kunststoffelemente und Dichtungen zu schützen. Eine Nichteinhaltung wird den Verlust der Garantie zur Folge haben.

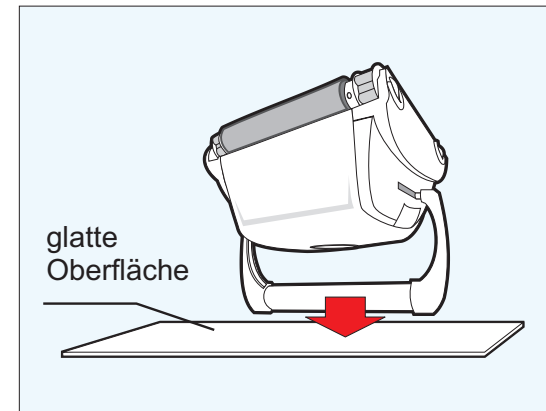
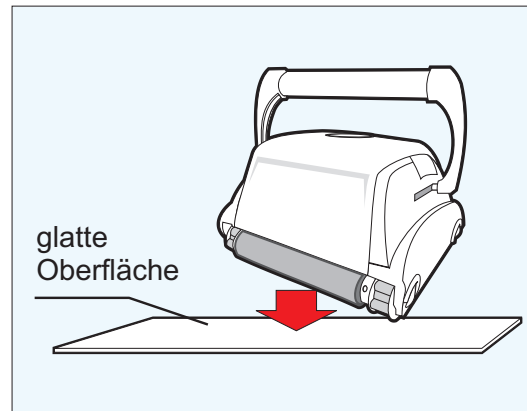
Der Roboter kann in Wasser mit Temperaturen von 13°C bis 35°C eingesetzt werden.

Es empfiehlt sich jedoch, auf eine Temperatur zwischen 22°C und 32°C zu achten.

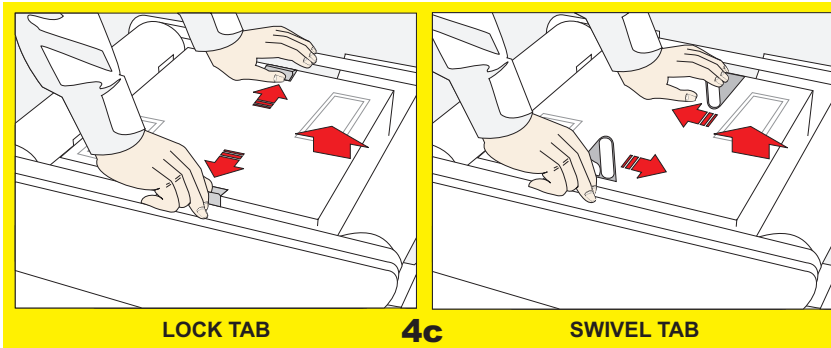
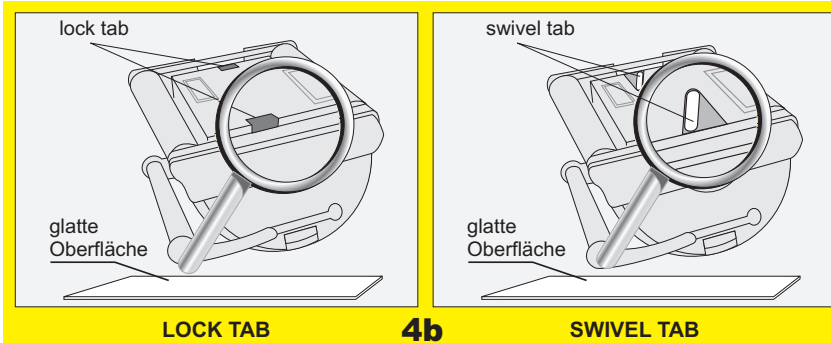
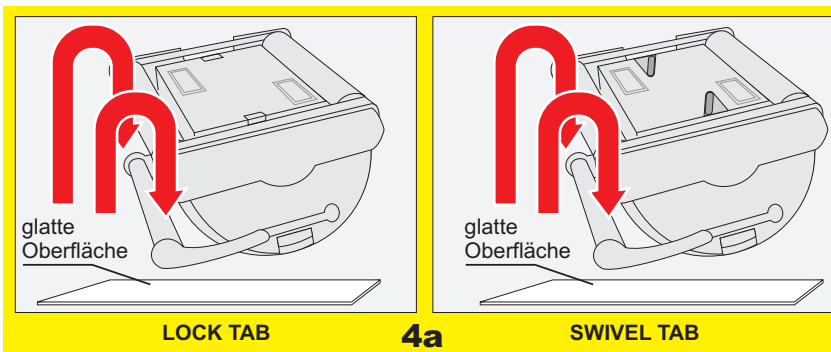
## Wartung und Einstellung des Schwimmbeckenreinigers

### ACHTUNG:

Um Kratzer oder andere Verunstaltungen an Ihrem Roboter zu verhindern, einfach das Gerät auf eine glatte Oberfläche während der Reinigung der Filtersäcke oder anderer Justierungen legen. Diese Kratzer könnten feine und scharfe Kanten am Roboter erzeugen und damit eventuell Schäden an flexiblen Schwimmbad-Oberflächen verursachen.



## Wartung und Einstellung des Schwimmbeckenreinigers

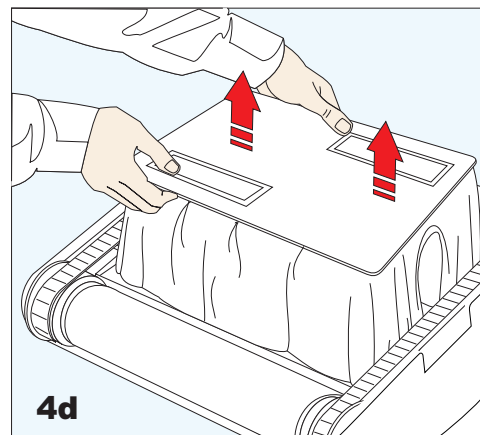


### REINIGEN SIE DEN FILTERBEUTEL NACH JEDEM REINIGUNGSZYKLUS

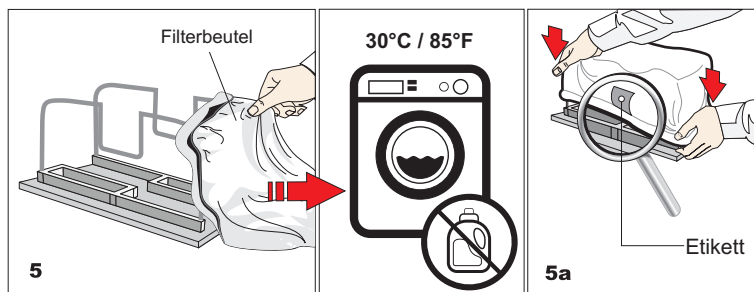
- Ziehen Sie den Netzstecker des Transformators. Vermeiden Sie jeglichen Kontakt des Netzsteckers mit Wasser.
- Falls sich der Reiniger noch im Schwimmbecken befindet ziehen Sie den Reiniger vorsichtig am Schwimmkabel zu sich, bis er die Wasseroberfläche erreicht. Um das Gerät vollständig aus dem Wasser zu heben benutzen Sie bitte den Handgriff, nicht das Schwimmkabel. Heben Sie den Reiniger langsam aus dem Wasser. Leichtes Hin- und Herschwenken des Reinigers lässt das Wasser vollständig aus dem Inneren entweichen.
- Legen Sie den Reiniger mit seiner Oberseite auf eine weiche (um Kratzer im Gehäuse zu vermeiden) Unterlage (siehe Bild 4a), Lösen Sie die Halteclips und entfernen Sie die Bodenplatte (siehe Bilder 4b und 4c) und entfernen Sie den Bodendeckel (siehe Bild 4d)  
(weiter auf der nächsten Seite)

### ANMERKUNG:

Je nach Model gibt es zwei Arten eines Mechanismus für das Auskuppeln des unteren Deckels: LOCK TAB (VERSCHLIEß-SCHLAUFE) oder SWIVEL TAB (SCHWENK-SCHLAUFE). Halten Sie sich bitte an das Anweisungsdiagramm Ihres Models.



## Wartung und Einstellung des Schwimmbeckenreinigers

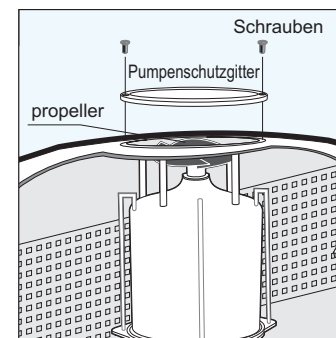
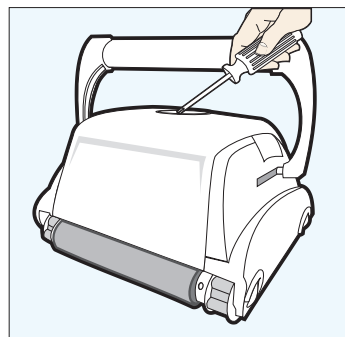


((Fortsetzung der vorherigen Seite))

- d. Nehmen Sie den Filterbeutel von den Haltebügeln (siehe Bild 5), stülpen Sie den Beutel um und waschen Sie den Schmutz vollständig aus (z.B. mit einem Gartenschlauch oder unter fließendem Wasser). Spülen Sie den Filterbeutel so lange, bis das abfließende Wasser klar ist. Wringen Sie den Filterbeutel ganz sachte aus. Sofern notwendig kann der Filterbeutel auch mit kaltem Wasser in der Waschmaschine gewaschen werden. Bitte kein Waschmittel verwenden!
- e. Ziehen Sie den Filterbeutel wieder über die Haltebügeln des Bodendeckels (siehe Bild 5). Achten Sie darauf, daß Sie das Etikett in der Mitte von einer der beiden Längsseiten des Bodendeckels plazieren (siehe Bild 5a).
- f. Setzen Sie den Bodendeckel wieder in das Gehäuse des Reinigers ein. Bitte achten Sie darauf, dass alle vier Befestigungsclips vollständig einrasten und den Bodendeckel sicher fixieren.

### WICHTIGE HINWEISE:

- Schalten Sie den Transformator jedesmal aus und trennen Sie ihn vom Netz, wenn Sie Ihren Reiniger aus dem Wasser nehmen.
- Reinigen Sie den Filterbeutel nach jedem Reinigungszyklus.
- Wechseln Sie die diagonale Stellung des Handgriffs nach jedem Reinigungszyklus, um ein Verdrehen des Schwimmkabels zu verhindern.
- Lösen Sie etwaige Verdrehungen im Schwimmkabel von Zeit zu Zeit mit dem E-Z-Swivel.
- Ersetzen Sie abgenutzte Reinigungsbürsten um eine einwandfreie Reinigungsleitung zu ermöglichen.
- Achten Sie darauf, dass sich der Reiniger von selbst an der Wand ausrichtet. Der Handgriff des Reinigers muss parallel zur Wasserlinie stehen, sobald der Reiniger die Wasseroberfläche erreicht.
- Bewahren Sie die Lieferverpackung Ihres Reinigers auf, um ihn während längerer Perioden des Nichtgebrauchs sicher aufzubewahren oder ihn sicher zu Ihrem Händler schicken zu können, wenn ein Service notwendig sein sollte.
- Lassen Sie Ihren Reiniger nach jedem Reinigungszyklus für etwa 15 bis 20 Minuten im Wasser.
- **Setzen Sie Ihren Reiniger niemals längere Zeit dem Sonnenlicht aus.**
- **Setzen Sie vor allem nie den Transformator dem Sonnenlicht aus und setzen Sie ihn niemals Regen aus.**
- Gelegentlich sollten Sie Ihren Reiniger mit frischem klarem Wasser abspülen. Das verlängert die Lebensdauer der Antriebsriemen, der Antriebsräder und der Reinigungsbürsten.
- Reinigen Sie die Propeller ein Mal pro Monat



### Reinigung des Pumpen Propellers:

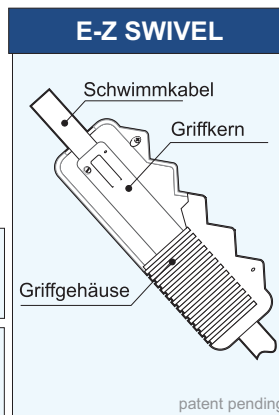
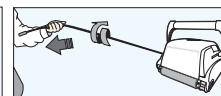
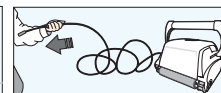
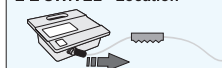
- 1) Nehmen Sie die 2 (4) Schrauben aus dem Pumpenschutzgitter
- 2) Nehmen Sie das Pumpenschutzgitter heraus und entfernen Haare und andere Ablagerungen um das Propeller herum.

### Pflege des Schwimmkabels

Nach einer gewissen Betriebszeit kann sich das Kabel des Reinigers verdrehen. Um das zu vermeiden wechseln Sie die diagonale Stellung des Handgriffs nach jedem Reinigungszyklus. Während der Reinigung wird sich der Reiniger dann in die jeweils andere Richtung bewegen und somit bestehende Verdrehungen auflösen. Sollte das Schwimmkabel trotzdem einmal verdreht sein benutzen Sie bitte den E-Z-Swivel.

Stellen Sie den Reiniger auf den Boden und ziehen Sie den Stecker des Schwimmkabels aus dem Transformator. Halten Sie den E-Z-Swivel in einer Hand und bewegen Sie sich weg vom Reiniger. Ziehen Sie das Schwimmkabel auf die volle Länge aus. Dabei wird der bewegliche Kern des E-Z-Swivels rotieren und so die Verdrehungen lösen.

E-Z SWIVEL - Location



## Anleitung für Fehlersuche

BITTE ÜBERPRÜFEN SIE NACHFOLGENDES BEVOR SIE IHR SERVICE CENTER ANRUFEN

Vor der Fehlersuche muss der Unterwasserreiniger vom Netzteil und das Netzteil vom Stromnetz getrennt werden, damit das Gerät nicht beschädigt werden kann, und um eigene Verletzungen zu vermeiden.

Für Referenznummern ziehen Sie bitte die Teileliste, welche Sie auf der letzten Seite der Bedienungsanleitung finden, zu Rate.

### 1. Gerät pumpt kein Wasser und läuft nicht:

- a) Stellen Sie sicher, dass die elektrische Hausanlage (Steckdose) funktionstüchtig ist.
- b) Überprüfen Sie, ob der Netzstecker ordnungsgemäß eingesteckt und das Schwimmkabel richtig an der Ausgangsbuchse des Netztesles angeschlossen ist.
- c) Schalten Sie die Stromversorgung ein paar Mal hin und her auf "OFF (AUS)" und "ON (AN)" und das 45 Sekunden lang.
- d) Überprüfen und entfernen Sie Ablagerungen, wie zum Beispiel Haare, Fäden oder Blätter, welche den freien Lauf der Antriebswelle (5), der Antriebsriemen (6) und der Laufriemen (7) blockieren könnten.
- e) Überprüfen Sie ob die Antriebsriemen (6) und die Laufriemen (7) noch funktionstüchtig und gespannt sind. Wenn nötig, defekte oder verschlissene Teile erneuern.

### 2. Gerät pumpt kein Wasser oder pumpt wenig, aber läuft:

- a) Überprüfen Sie ob der Propeller/ Pumpenschacht(1) frei von Haaren oder Ablagerungen ist. Entfernen Sie das Pumpenschutzgitter und säubern den Propeller. Beim Festschrauben des Schutzgitters darauf achten, dass die Schrauben nicht überdreht werden.
- b) Überprüfen Sie ob die Filtersäcke (12) sauber sind. Wenn nötig bitte reinigen.
- c) Wenn a und b nicht zum Erfolg führen, d.h. der Motor arbeitet nicht, senden Sie das Gerät zu Ihrem Service Center.

### 3. Gerät läuft nicht, aber es pumpt Wasser:

- a) Überprüfen Sie ob die Vorwärts / Rückwärts- Bewegung durch fremde Gegenstände wie Haare, Kaugummi, Heftpflaster etc. an den Antriebsriemen (6) oder Laufriemen (7) blockiert ist.
- b) Überprüfen Sie ob die Antriebsriemen (6) abgesprungen sind. Überprüfen Sie ebenso den Zustand der Antriebsriemen (6). Wenn nötig bitte wechseln.
- c) Überprüfen Sie die Fahrmotor (3) Verbindungen zur Antriebswelle (Nutenstift)
- d) Wenn das Antriebssystem in Ordnung ist, und einer oder beide Fahrmotoren nicht arbeiten, senden Sie das Gerät bitte zu Ihrem Service Center.

### 4. Gerät nimmt keinen Schmutz und keine Ablagerungen auf:

- a) Überprüfen Sie 2a und 2b dieser Anleitung.
- b) Überprüfen Sie die Rückschlagklappen (23) an der Unterseite Ihres Gerätes. Die Klappen sollten sich frei zum Öffnen und Schliessen bewegen. Wenn nötig säubern und stellen Sie die freie Beweglichkeit der Rückschlagklappen sicher.

### 5. Gerät scheint nicht das gesamte Schwimmbad zu bearbeiten:

- a) Meistens ist eine gründliche Reinigung der Filtersäcke (12) nötig
- b) Überprüfen Sie ob das Schwimmkabel (15) komplett ausgelegt und nicht verdreht ist.
- c) Ermöglichen Sie dem Gerät einen kompletten Reinigungszyklus zu durchlaufen.
- d) Stellen Sie sicher, dass der Tragegriff (14) diagonal zum Gerät justiert ist.
- e) Überprüfen Sie ob der Pumpenmotor (2) arbeitet. Bitte auch den Absatz 4 „Gerät nimmt keinen Schmutz und keine Ablagerungen auf“ dieser Anleitung beachten.
- f) Sollte nach der Bearbeitung aller oben aufgeführten Punkte im noch ein Problem auftreten, rufen Sie Ihren Händler für weitere Hilfe an.

### 6. Beim Herausnehmen aus dem Schwimmbecken kommt Schmutz aus dem Aquabot (die Bodenplatte schließt nicht einwandfrei):

- a) Bodenplatten (24) – Überprüfen Sie ob diese in allen Halteclips am Geräteboden verankert sind..
- b) Rückschlagklappen (23) – Überprüfen Sie ob die Rückschlagklappen (23) an der Unterseite Ihres Gerätes sich frei auf und zu bewegen. Wenn nötig die Klappen reinigen.

### 7. Das Kabel ist verdrillt:

- a) Drehen Sie die diagonale Stellung des Tragegriffs um
- b) Benutzen Sie das E-Z Swivel wie unten gezeigt.

\*Reparaturen am Netzteil (auch am Netzkabel) unbedingt vom autorisierten Händler, Vertriebspartner oder Service Center durchführen lassen, da nur diese das geeignete Spezialwerkzeug besitzen.

## DISPOSIZIONI IMPORTANTI DI SICUREZZA LEGGERE E SEGUIRE TUTTE LE DISPOSIZIONI

**ATTENZIONE:** Non inserire la spina dell'alimentatore in una presa di rete e non avviare il robot per la pulizia della piscina se questo non è completamente immerso nell'acqua. Mettendo in funzione il robot fuori dall'acqua si possono causare severi danni immediati e si provoca l'annullamento della garanzia.

Lasciare che il robot resti nella piscina per un periodo che va da 15 a 20 minuti dopo la fine del ciclo di pulizia. Questo consente ai motori di raffreddarsi adeguatamente. Non lasciare il robot in piscina tutto il tempo. Ricordare sempre di spegnere e staccare l'alimentatore elettrico dalla presa di corrente prima di estrarre il robot dalla piscina.

**AVVISO:** Il robot non deve essere messo in azione quando i bagnanti si trovano nella piscina. Per solo uso in piscina

### Nota di sicurezza

- L'alimentazione del robot deve avvenire tramite un interruttore a corrente residua (RCD) con un valore di taratura non superiore a 30 mA
- Il collegamento alla rete elettrica deve essere compatibile con le norme ed i regolamenti locali e nazionali (normativa elettrica).
- La cattiva manutenzione del robot può causare la perdita di materiali lubrificanti.
- Se il cavo d'alimentazione elettrica è danneggiato, deve essere sostituito dalla casa produttrice o da un agente autorizzato al servizio oppure da persona analogamente qualificata per evitare pericoli.



L'elettrodomestico non è destinato all'uso di persone dalle capacità fisiche, sensoriali o mentali ridotte (ivi compresi i bambini) o persone che non hanno idonee esperienze e conoscenza, senza prima averle addestrate o istruite circa l'uso dell'apparecchio da un tecnico responsabile della sicurezza. I bambini devono essere sorvegliati onde evitare che giochino con l'apparecchio.



**AVVISO:** Un interruttore di isolamento difettoso verso terra (GFCI-USA) o un interruttore di corrente residua (RCD-EUROPE) deve essere installato per proteggere la presa elettrica e prevenire ogni possibile scossa elettrica.

**CONSERVARE QUESTE ISTRUZIONI**

Gentile Cliente,

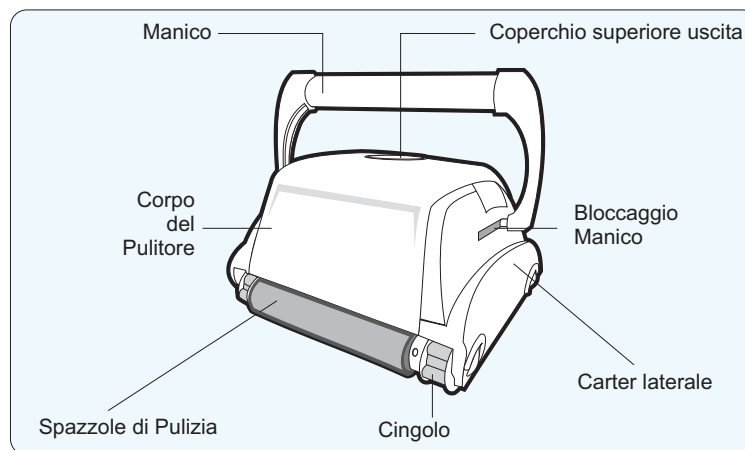
La ringraziamo per la scelta che ha fatto preferendo il nostro robot per la pulizia della sua piscina. Vogliamo sperare che sarà un piacere per lei usare il nuovo robot di pulizia per la manutenzione della piscina per gli anni a venire.

Prima di iniziare ad utilizzare i robot di pulizia, la preghiamo di dedicare alcuni minuti per leggere attentamente queste istruzioni sul loro funzionamento.

La ringraziamo di nuovo per aver scelto il nostro robot di pulizia.

## Componenti

Anche se l'aspetto del vostro pulitore e di alcuni suoi componenti potrebbero essere diversi da quelli qui rappresentati, il funzionamento del pulitore e le procedure di utilizzo e manutenzione sono le stesse



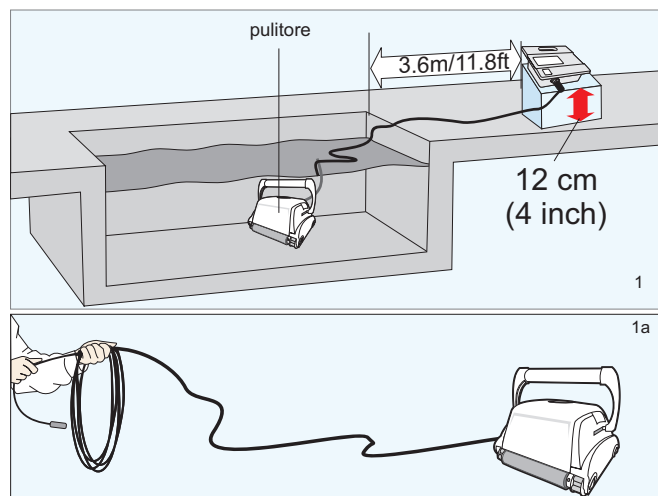
**Il vostro nuovo pulitore automatico è composto da:**

- Robot di pulizia completo di cavo galleggiante
- Alimentatore (trasformatore)
- Carrello (optional)

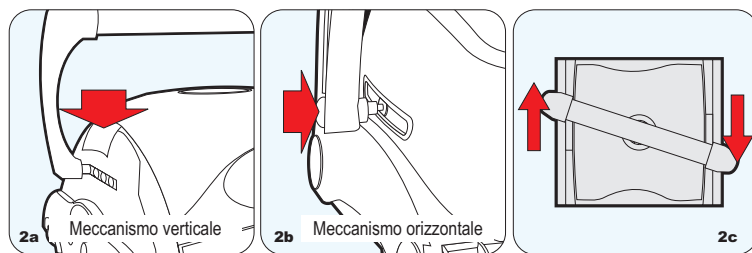
**Si prega di leggere questo manuale in tutte le sue parti prima di mettere in funzione i robot di pulizia**

## Utilizzo del pulitore per piscine

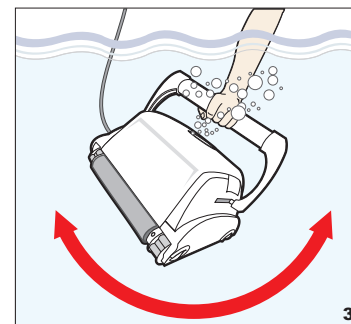
1. Posizionare l'alimentatore (trasformatore) almeno a 3,6 metri dalla piscina e sollevato di almeno 12 cm dalla superficie (fig.1). L'alimentatore fornirà la bassa tensione al robot.
2. Svolgere il cavo.(fig.1a)



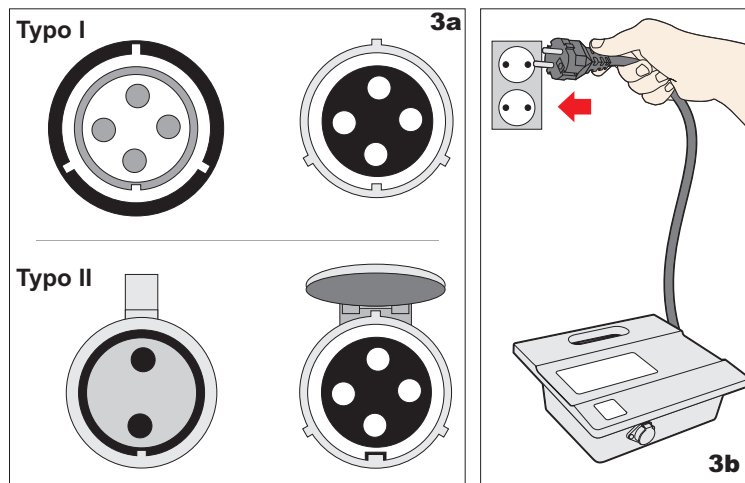
3. Per il funzionamento corretto, fissare l'impugnatura mobile diagonalmente, sopra la cassa del robot. Abbassare il **meccanismo di blocco dell'impugnatura** e portare la stessa fino alla fine (si raccomanda fino a una tacca prima della fine), poi sganciare il meccanismo. A seconda del modello, il **pulsante di blocco dell'impugnatura** può essere **verticale o orizzontale** (fig.2a, 2b). L'impugnatura resta bloccata in questa posizione. Ripetere il processo sull'altro lato del robot. Ricordare che l'impugnatura deve essere fissata diagonalmente (Fig.2c).



Collocare l'unità nell'acqua. Girare l'unità da lato a lato dentro l'acqua per permettere la fuoriuscita dell'aria dal corpo e lasciare poi, che il robot di pulizia scenda fin sul fondo della piscina. Quindi distendere il cavo sulla superficie della piscina nel modo più uniforme possibile (fig.1)



5. Collegare il cavo all'alimentazione elettrica. Secondo il modello (di Tipo I o di Tipo II), assicurare che la chiavetta della spina sia inserita nella tacca per la chiavetta che si trova nella presa dell'alimentatore elettrico (Fig.3a). Connettere l'alimentatore a una presa elettrica dotata di messa a terra. Assicurare che la presa elettrica sia stata adeguatamente messa a terra (Fig. 3b). Premere il pulsante ON che si trova sull'alimentatore elettrico. La luce spia si accende per indicare che il sistema è "ON" e che il robot per la pulizia della piscine sta per iniziare il ciclo di pulizia. L'unità mantiene una registrazione del numero dei cicli di pulizia. Solo il Centro del Servizio di Assistenza autorizzato può visualizzare il numero totalizzato di cicli. (Fare riferimento ai dettagli della prossima pagina)



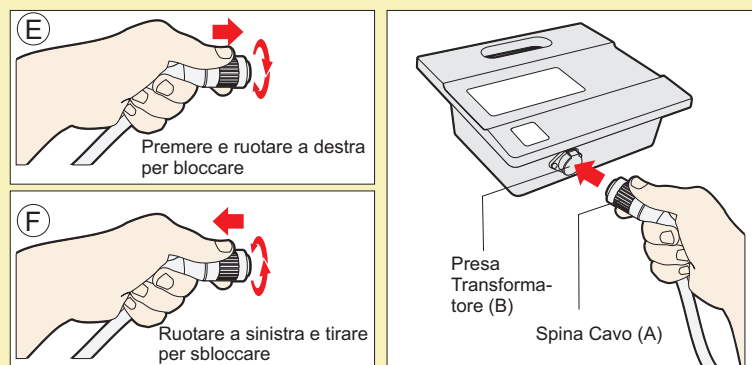
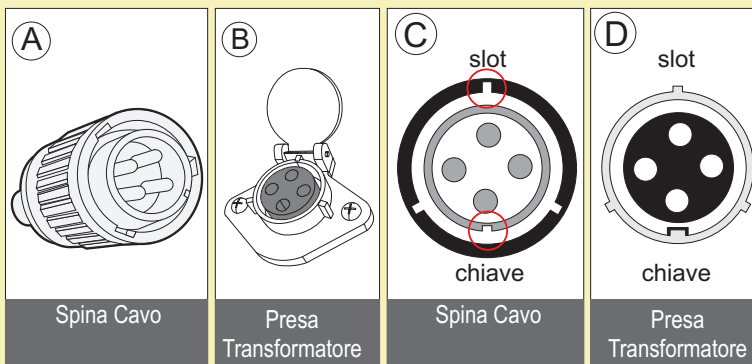


## Utilizzo del pulitore per piscine

### Spina di Tipo I

Per inserire il cavo (Fig. A) nella presa dell'alimentatore elettrico (Fig. B), procedere come segue:

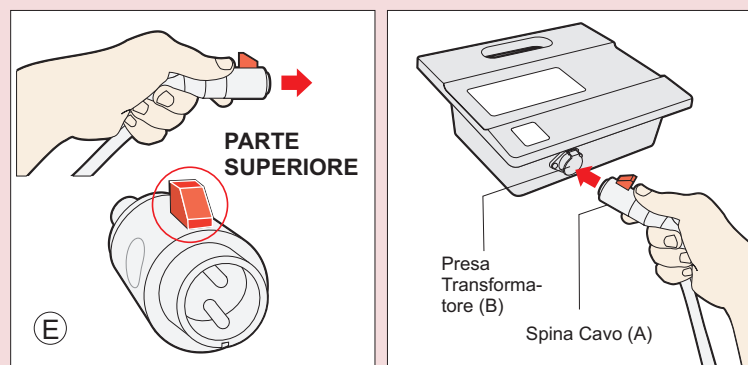
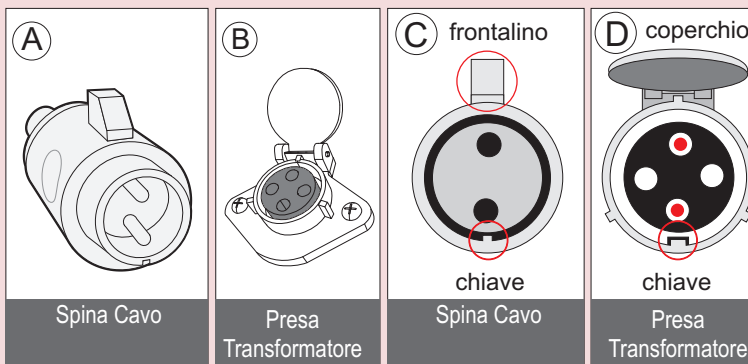
1. Preparare la spina come indicato in (Fig. C) con la chiavetta e le tre scanalature esterne come illustrato.
2. Adattare esattamente la chiavetta e le scanalature della spina del cavo con le corrispondenti chiave e scanalature della presa dell'alimentatore. (Fig. D).
3. Inserire la spina nella presa dell'alimentatore finché si ferma.
4. Una volta inserita la spina, ruotare la spina verso destra per agganciarla in posizione (Fig. E).
5. Per estrarre la spina, girarla a sinistra per sbloccarla, poi estrarla dalla presa (Fig. F).



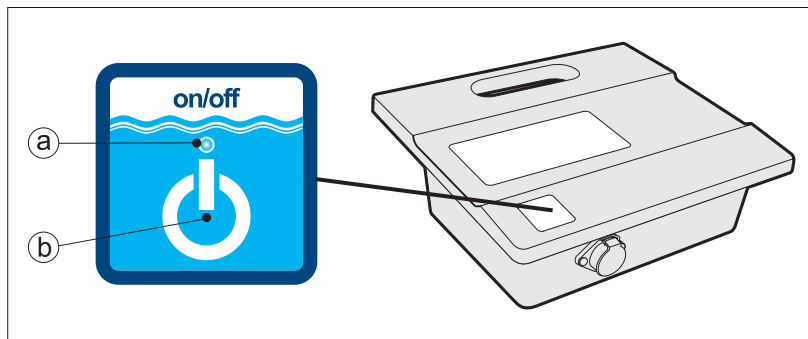
### Spina di Tipo II

Per inserire il cavo (Fig. A) nella presa dell'alimentatore elettrico (Fig. B), procedere come segue:

1. Preparare la spina come indicato in (Fig. C) con la chiavetta ed il frontalino esattamente come illustrato.
2. Il frontalino deve essere rivolto verso l'alto (Fig. E) per tenere aperto il coperchio della presa. Il coperchio tiene fissato il cavo al suo posto.
3. Inserire esattamente la chiavetta nella corrispondente tacca della presa dell'alimentatore elettrico. Pur avendo la presa 4 fori, ne saranno usati solo quello superiore e quello inferiore (Fig. D).
4. Inserire fino alla fine la spina nella presa dell'alimentatore. Dopo aver inserito la spina fino alla fine, il coperchio deve essere premuto su di essa per tenerla a posto.
5. Per rimuovere la spina, è necessario sollevare il coperchio, e poi estrarla.



## Utilizzo del pulitore per piscine



### a. LED alimentazione

Il LED blu si accende ad intermittenza quando l'alimentatore elettrico si trova in modalità standby e si accende permanentemente quando il robot per la pulizia della piscina è in funzione. Il commutatore di alimentazione passa da ON a STANDBY

### b. Tasto di accensione

Il tasto consente di passare da ON a STANDBY

**IMPORTANTE** – Alla fine di ogni ciclo, il robot passa automaticamente alla modalità STANDBY. Se si vuole spegnere la macchina durante il ciclo di pulizia, premere il pulsante "Power" una volta ed il LED inizia a lampeggiare, per indicare che la macchina ha smesso di funzionare.

### IMPORTANTE:

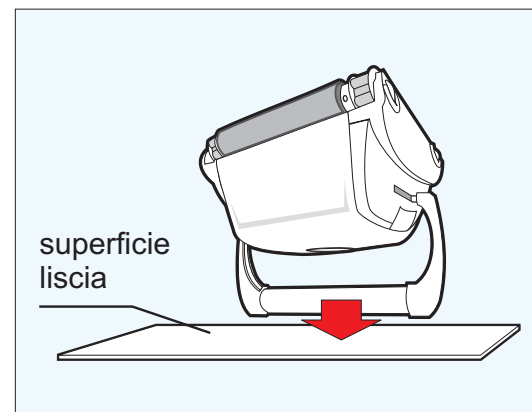
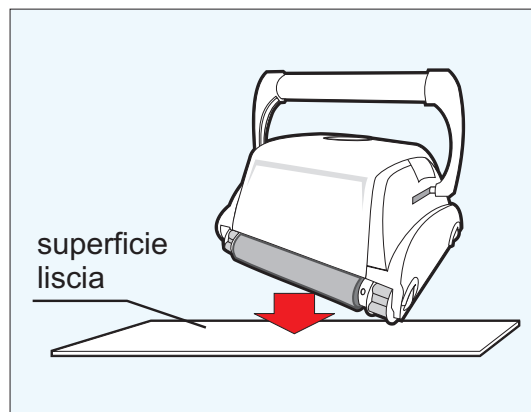
Assicurare che il robot per la pulizia della piscina sia messo in deposito in condizioni adeguate ad una temperatura che va da 10 a 40 gradi Celsius, per la protezione dei motori, delle parti in plastica e delle guarnizioni. Una mancata ottemperanza può comportare l'annullamento della garanzia.

Robot può essere usato in acqua a temperatura variabile da 13°C a 35°C (55°F - 95°F). Nondimeno, la temperatura ottimale raccomandata è fra 22°C e 32°C (72°F - 90°F)

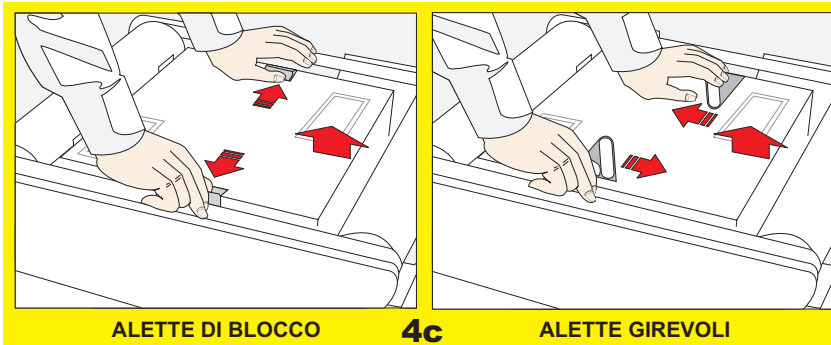
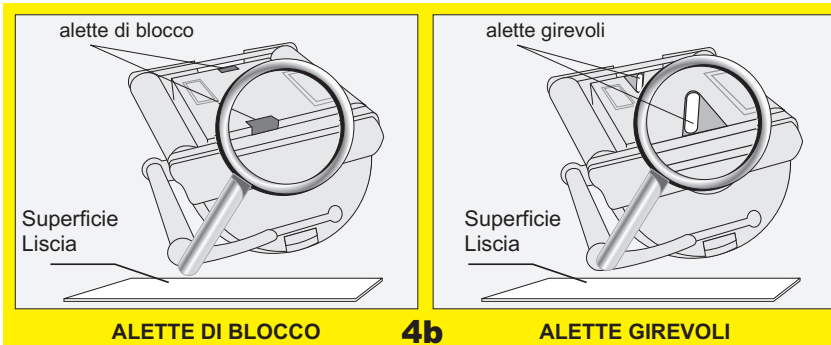
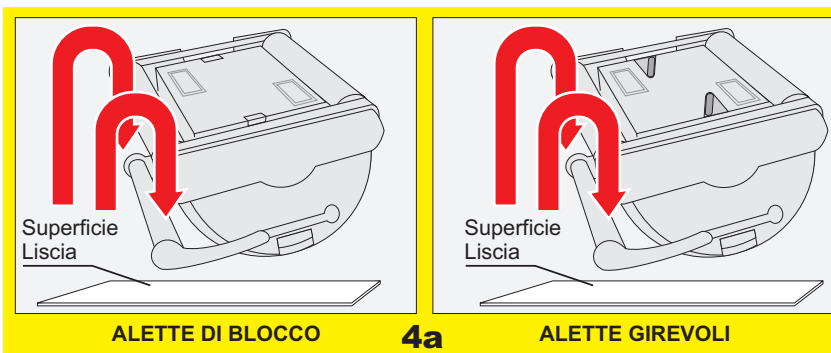
## Manutenzione e regolazione del pulitore per piscine

### ATTENZIONE:

Al fine di evitare che il robot si righi o invecchi nelle parti plastiche, trovate una superficie liscia su cui posarlo durante l'inverno o quando non utilizzato o su cui appoggiarlo capovolto quando effettuate la pulizia del filtro interno. Eventuali graffi o rotture che determinino angoli vivi sui rulli portaspazzole possono diventare pericolosi per il rivestimento della piscina che potrebbe rompersi o rigarsi.



## Manutenzione e regolazione del pulitore per piscine



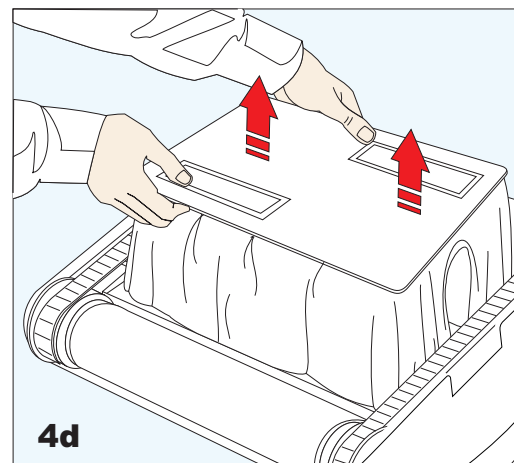
### PULIRE IL SACCHETTO DEL FILTRO DOPO OGNI CICLO DI PULIZIA

- Sfilare la spina del trasformatore. (Fate attenzione a che la spina non vada a contatto con l'acqua)
- Se il pulitore è nella piscina, tirarlo con delicatezza verso se stessi servendosi del cavo finché la maniglia non sia a portata di mano. Usare il manico (non il cavo) per estrarre il robot di pulizia dalla piscina dopo aver lasciato fuoriuscire l'acqua dall'unità.
- Adagiare l'unità sul dorso, sbloccare e togliere il coperchio inferiore (fig. 4a, 4b, 4c, 4d)

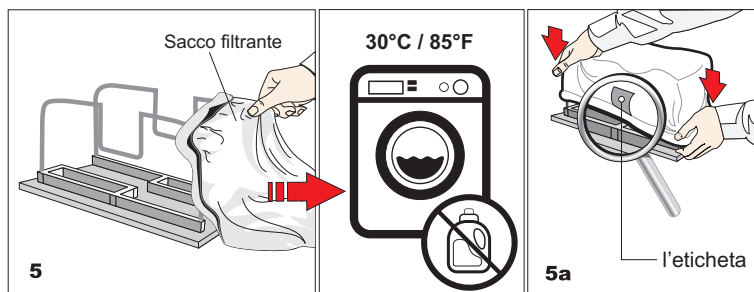
*(continua sulla pagina seguente)*

#### NOTA:

A seconda del vostro modello di pulitore, ci sono 2 diversi tipi di meccanismi di apertura del coperchio inferiore: ALETTE DI BLOCCO o ALETTE GIREVOLI.. Vi preghiamo di seguire le istruzioni del disegno a seconda del tipo di meccanismo del vostro pulitore.



## Manutenzione e regolazione del pulitore per piscine

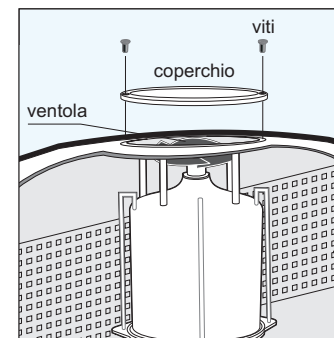
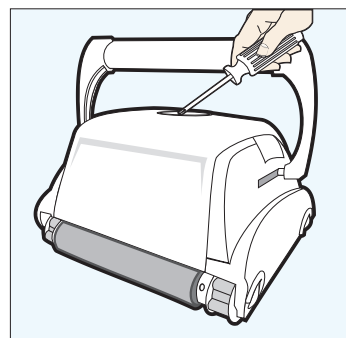


(continua dalla pagina precedente)

- d) Togliere il sacchetto del filtro dalle barre di supporto, rovesciarlo e ripulirlo di tutto lo sporco servendosi di una canna da giardinaggio o in un lavandino. Strizzare delicatamente il sacchetto finché l'acqua di risciacquo non sia pulita. Se necessario, lavare il sacchetto in lavatrice usando solo acqua fredda e **SENZA DETERSIVO!** (fig.5)
- e) Reinstallare il sacchetto sulle barre di supporto con l'etichetta al centro di uno dei lati lunghi del coperchio inferiore (5a)
- f) Reinstallare il coperchio inferiore nel corpo. Spingerlo in giù e il coperchio inferiore scatterà mettendosi nella posizione giusta.

### CONSIGLI IMPORTANTI:

- Spegner e staccare la spina del trasformatore ogni volta che si estrae il pulitore dall'acqua
- Pulire il sacchetto del filtro dopo ogni ciclo
- Invertire la maniglia dopo ogni ciclo di pulizia per evitare che il cavo si attorcigli. Periodicamente raddrizzare il cavo galleggiante svolgendolo
- Sostituire le spazzole quando sono consumate per garantire la massima prestazione di pulizia
- Assicurarsi che il robot di pulizia per piscine si collochi correttamente sulla parete. Il manico dell'apparecchio deve rimanere parallelo alla linea d'acqua una volta raggiunta la superficie.
- Conservare la custodia dell'imballaggio per riporvi il robot di pulizia nei periodi in cui non viene utilizzato oppure per eventuali spedizioni dell'unità al proprio centro assistenza in caso siano necessarie riparazioni o controlli.
- Lasciate il robot in acqua 15-20 minuti dopo ogni ciclo di pulizia
- **Quando non si utilizzano, non lasciare i robot alla luce diretta del sole. Non lasciate mai il trasformatore alla luce diretta del sole ed evitate che prenda pioggia**
- Periodicamente il pulitore andrebbe risciacquato in acqua fresca e pulita. Ciò servirà ad allungare la vita delle cinghie di trasmissione, delle cingoli e delle spazzole.
- **Pulire la ventola almeno una volta al mese (vedi pagina successiva).**



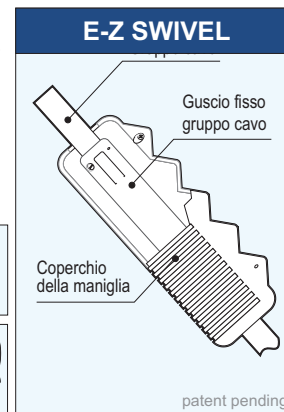
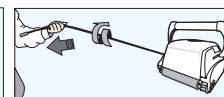
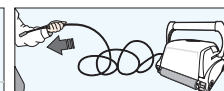
### Pulizia della ventola della pompa

- 1) Togliete le 2 viti (4) dal coperchio della ventola della pompa e rimuovete il coperchio.
- 2) Tirate la ventola verso l'alto sfilandole e rimuovere lo sporco dall'alberino.

### CURA DEL CAVO

Può darsi che il cavo si attorcigli dopo un certo periodo di tempo. Per correggere questa situazione bloccate la maniglia in posizione diagonale opposta a quella di normale funzionamento. Il pulitore lavorerà in questo modo in direzione opposta pulendo la piscina e il cavo si sbroglierà. Controllate periodicamente che il cavo non sia danneggiato. Se il problema dell'attorcigliamento permane, utilizzate lo strumento E-Z Swivel.

Posizionate il robot a terra e staccate la spina del cavo dal trasformatore. Tenendo in mano l'E-Z Swivel allontanatevi dal Robot, tirando il cavo in tutta la sua lunghezza. Il guscio fisso ruoterà all'interno del coperchio della maniglia districando in questo modo il cavo.



## Guida alla risoluzione dei problemi

VI PREGHIAMO DI CONTROLLARE I SEGUENTI PUNTI PRIMA DI CONTATTARE L'ASSISTENZA.

Prima di tentare di risolvere i problemi, il pulitore andrebbe scollegato dall'alimentazione elettrica staccandolo dal trasformatore, quest'ultimo andrà inoltre scollegato dalla presa elettrica. Questo per evitare danni al pulitore e possibili problemi al personale che verificherà il funzionamento della macchina.

Per i numeri di codice dei ricambi, consultate il diagramma riportato sull'ultima pagina.

### 1. Il pulitore non aspira l'acqua o non si muove:

- Controllare se arriva corrente all'uscita del trasformatore (22).
- Controllare se il trasformatore (16) è collegato ad una presa con messa a terra e che il cavo blu del pulitore sia correttamente collegato al trasformatore. \*
- Spegnere ed accendere l'alimentatore alcune volte. Lasciar passare 45 secondi fra "ON" ed "OFF".
- Controllate e rimuovete ogni tipo di sporcizia come capelli, corde o foglie che potrebbero ostruire il libero movimento della puleggia (5), cinghie (6) o cingoli (7).
- Controllate che le cinghie di trasmissione (6) e i cingoli (7) siano ben allineati e tesi. Correggetene l'allineamento o sostituiteli se necessario.

### 2. Il pulitore non aspira acqua del tutto o ne aspira poca, ma si muove:

- Controllate che la ventola della pompa (1) sia libera e che non ci siano capelli o altro genere di sporco attorcigliato intorno all'albero su cui è fissata. Se fosse sporca rimuovere il coperchio della ventola (1) togliendo le viti di fissaggio e pulite la ventola. Nel rimontare il coperchio ventola non stringete con troppa forza le viti.
- Controllate che il filtro (12) sia pulito. Se necessario pulirlo e lavarlo.
- Se i punti "a" e "b" sono negativi controllate il motore della pompa (2). Se il motore non funziona inviate il pulitore in assistenza.

### 3. Il pulitore non si muove ma aspira acqua:

- Controllate se gli organi di trazione siano bloccati da sporco; capelli, sassi e etc possono bloccare le cinghie di trazione (6) o i cingoli (7) oppure il cavo di alimentazione può essersi attorcigliato. Pulire se necessario o sbrogliare il cavo.
- Controllate che le cinghie di trazione (6) non siano fuori sede. Verificate anche la corretta tensione (6). Se necessario sostituire le cinghie.
- Controllate che i collegamenti del motore siano ben fissati.
- Se a, b, e c sono negativi, controllate i motori master e slave. Se uno dei due non funziona, inviate il pulitore in assistenza.

### 4. Il pulitore non aspira lo sporco :

- Fate le verifiche dei punti 2a e 2b.
- Controllate la pulizia delle alette di aspirazione acqua (23) sulla base del pulitore. Le alette dovrebbero potersi aprire e chiudere liberamente. Se necessario pulirle (23).

### 5. Il pulitore non pulisce tutto il fondo della piscina:

- La maggior parte delle volte è sufficiente pulire il filtro (12).
- Controllate che il cavo blu (15) sia ben disteso e non attorcigliato in acqua.
- Consentite al pulitore di svolgere tutto il ciclo di pulizia.
- Assicuratevi che la maniglia del pulitore (14) sia bloccata e in posizione diagonale rispetto al pulitore.
- Controllate che le pompe (2) funzionino. Fate riferimento alla guida risoluzione problemi "Il pulitore non aspira lo sporco" e "Il pulitore non si muove ma pompa acqua."
- Se dopo aver seguito i punti sopra il problema persiste contattate il vostro rivenditore prima di mandare il pulitore in assistenza.

### 6. Lo sporco viene aspirato ma non trattenuto dal pulitore e il coperchio inferiore non si chiude bene:

- Controllate che le alette di chiusura (24) non siano rotte o consumate. Dovrebbero essere ben allineate e fissate al sottoscocca del pulitore.
- Controllate la pulizia delle alette di aspirazione acqua (23) sul fondo del pulitore. Le alette dovrebbero potersi aprire e chiudere liberamente. Nel caso pulirle (23).

### 7. Il cavo è attorcigliato:

- Invertite la posizione diagonale della maniglia.
- Utilizzate l'EZ-Swivel per sbrogliare il cavo. Nel caso lasciate il cavo al sole per rimuovere le curvature che dovesse aver assunto il cavo. (*Vedi il capitolo "Cura del cavo"*)

\*La spina del trasformatore può essere rimossa o sostituita solo con l'ausilio di particolari attrezzi disponibili presso i centri di assistenza e distributori.

## INSTRUCCIONES IMPORTANTES SOBRE SEGURIDAD LEA Y SIGA TODAS LAS INSTRUCCIONES

**PRECAUCIÓN:** No enchufe la fuente de alimentación a una toma aterrada ni tampoco pase el interruptor a la posición de encendido "ON" si el limpiador no está totalmente sumergido en el agua. Si opera el limpiador fuera del agua puede causar daños severos de forma inmediata y se traducirá en la pérdida de la garantía.

Deje el limpiador en la piscina por espacio de 15 a 20 minutos siguientes a la conclusión de su ciclo de limpieza. Esto permitirá que los motores se enfríen adecuadamente. No deje el limpiador en la piscina todo el tiempo. Recuerde siempre de apagar la fuente de alimentación "OFF" y desenchufe la toma de corriente antes de retirar el limpiador de la piscina.

**ADVERTENCIA:** El limpiador no debe ser utilizado cuando las personas están en el agua. Para su utilizado solamente en piscinas

### Nota de seguridad

- La unidad deberá recibir su energía a través de un dispositivo de corriente residual (RCD) con una intensidad nominal residual no superior a los 30 mA
- La conexión con el circuito de derivación debe ser compatible con las normas de cableado locales y nacionales (código eléctrico).
- El manejo incorrecto de la unidad puede dar lugar a fugas de lubricantes.
- Si el cable de alimentación está dañado, debe ser reemplazado por el agente de servicio del fabricante o una persona calificada y entrenada con el fin de evitar peligros.



Este aparato no está diseñado para ser utilizado por personas (incluidos niños) con capacidades físicas, sensoriales o mentales reducidas, o con falta de experiencia y conocimiento, a menos que se les supervise o se les instruya en el uso del aparato por una persona responsable de su seguridad. Los niños deberán ser supervisados para asegurar de que no jueguen con el aparato.



**ADVERTENCIA:** Un interruptor de falla de corriente a tierra (GFCI, EE.UU.) o un dispositivo de corriente residual (RCD-EUROPE) deberá instalarse para proteger la toma de corriente eléctrica y evitar posibles descargas eléctricas.

## GUARDE ESTAS INSTRUCCIONES

Estimado Cliente:

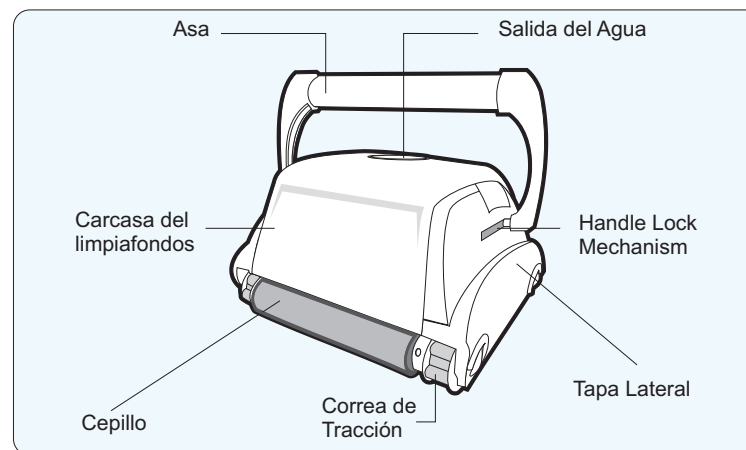
Gracias por seleccionar nuestro producto para realizar la limpieza de su piscina. Estamos seguros que quedará satisfecho al utilizar su nuevo limpiafondos para mantener limpia su piscina durante años.

Antes que Ud. comience a utilizar su limpiafondos, dedique unos minutos de su tiempo para leer éste manual de instrucciones.

Nuevamente, gracias por seleccionar nuestro producto

## Componentes

Mientras la apariencia de su limpiafondos y algunos de sus componentes sean diferentes de los que aparecen aquí, las funciones del limpiafondos y el mantenimiento son los mismos



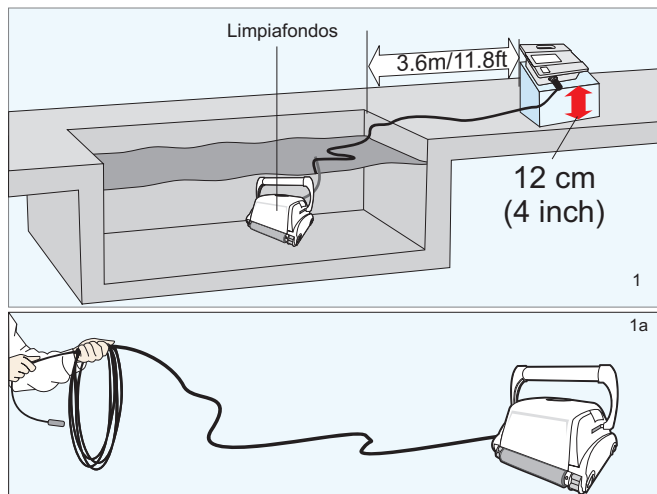
**Su nuevo limpiafondos automático de Piscina consta de:**

- El limpiafondos robotizado con su cable eléctrico flotante
- El transformador
- Carro (opcional)

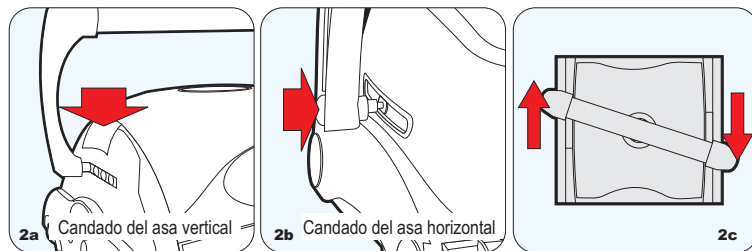
**Lea cuidadosamente este manual antes de poner en funcionamiento su limpiafondos.**

## Manejo de su Limpiafondos de Piscina

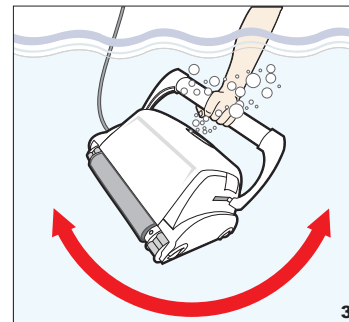
1. Ubique la fuente de poder (transformador) a una distancia de al menos 3.6 metros (11.8 pies) de la piscina y al menos 12 cm (4 pulgadas) por encima del nivel (figura 1). El transformador le suministra bajo voltaje al limpiador.
2. Desenrolle el cable (figura 1A).



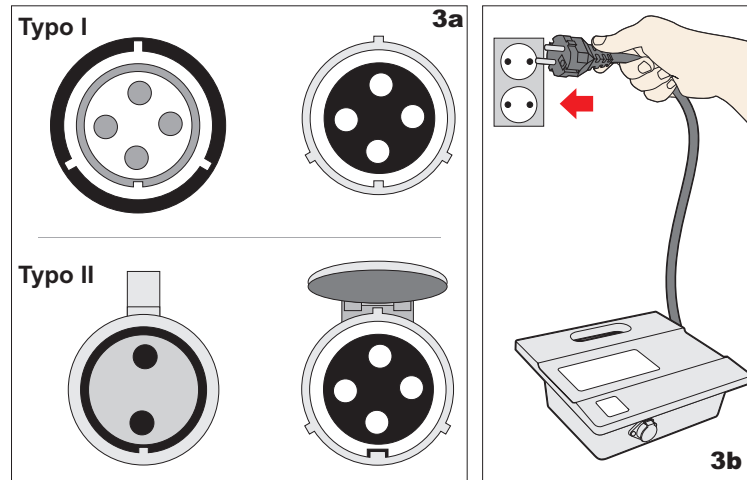
3. Para un funcionamiento correcto, trabe la manivela en diagonal a la parte superior del cuerpo del limpiador. Empuje hacia abajo el mecanismo de traba y deslice la manivela hasta el final (se recomienda una ranura antes del final), luego libere la traba. Según el modelo, el botón de traba de la manivela puede ser vertical u horizontal (figuras 2a, 2b). La manivela queda fija en ésta posición. Repita el proceso del otro lado del limpiador. Recuerde, la manivela debe fijarse diagonalmente (figura 2c)



4. Sitúe la unidad dentro del agua. Muévala en el agua hacia uno y otro lado para que expulse el aire que pueda haber en el aparato y después deje que el limpiafondos se hunda hasta el fondo de la piscina ( fig. 3 ). Extienda el cable eléctrico sobre la superficie de la piscina, tanto como sea posible ( fig. 1 )



5. Conecte el cable al enchufe de corriente. Dependiendo del modelo (Tipo I o Tipo II), asegúrese que la toma (macho) corresponda exactamente con el enchufe (hembra) de electricidad (Figura 3a). Enchufe la corriente en una salida con tierra. Asegúrese que la toma de corriente ha sido aterrada correctamente (figura 3b). Pulse el botón de encendido "ON" de la fuente de electricidad. La luz indicadora se iluminará indicando que el sistema está encendido y el aspirador de piscina comenzará su ciclo de limpieza. La unidad mantiene registro de la cantidad de ciclos de limpieza. Solamente un centro de servicio autorizado puede visualizar la cantidad acumulada de ciclos de limpieza. (Ver detalles en la próxima página)

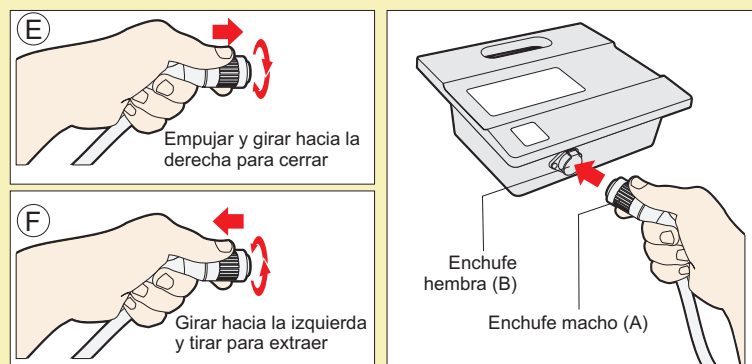
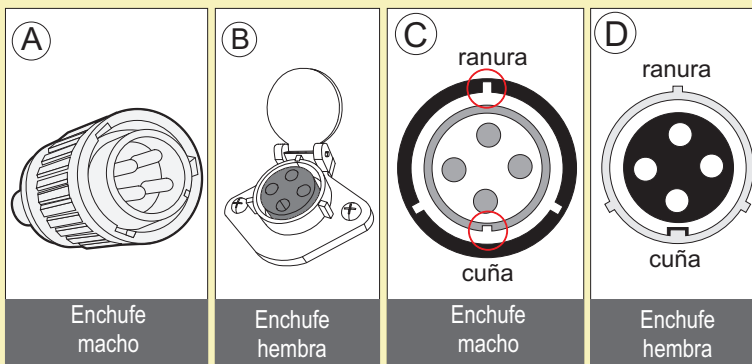


## Manejo de su Limpiafondos de Piscina

### Tomas Tipo I

Para conectar el cable (Figura A) en el enchufe de corriente (Figura B), debe realizar lo siguiente:

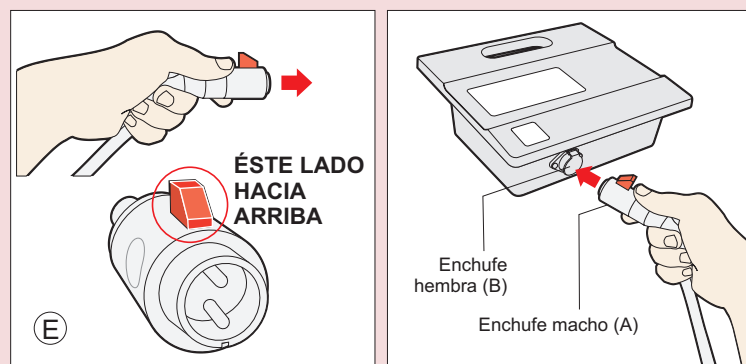
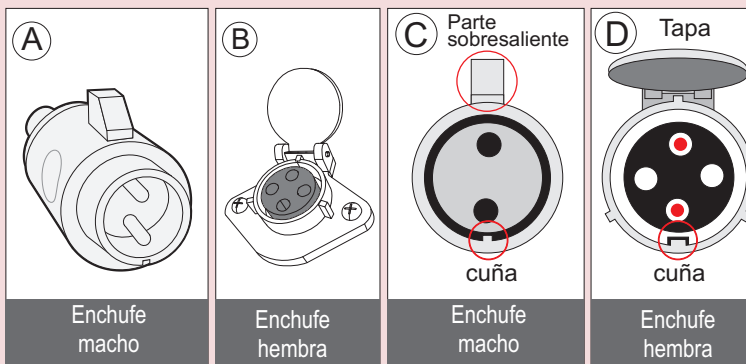
1. Prepare la toma como se muestra en la Figura C con el indicador y las 3 ranuras externas exactamente como se muestra.
2. Calce exactamente el indicador y las ranuras del enchufe del cable con el correspondiente indicador y ranuras del toma-corriente. (Figura D)
3. Presione la toma dentro del enchufe hasta el final.
4. Una vez que la toma esté adentro, gírela hacia la derecha para trabarla (Figura E).
5. Para remover la toma, primero gire la misma hacia la izquierda para destrabar la toma, y luego hale (Figura F).



### Tomas Tipo II

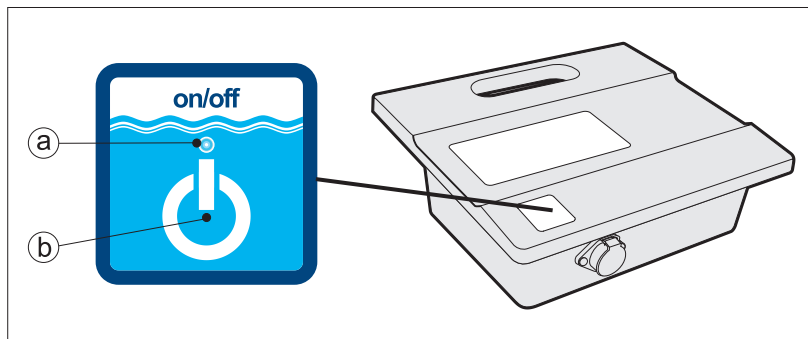
Para conectar el cable (Figura A) en el enchufe de corriente (Figura B), debe realizar lo siguiente:

1. Prepare la toma como se muestra en la Figura C con el indicador y la parte sobresaliente exactamente como se muestra.
2. La parte sobresaliente debe estar hacia arriba (Figura E) para mantener la tapa del enchufe abierta. La tapa traba el cable en su lugar.
3. Calce exactamente el indicador con la ranura del enchufe del cable con el correspondiente enchufe de corriente. A pesar que el enchufe tiene 4 orificios, solamente se utilizan el superior e inferior (Figura D)
4. Presione el enchufe sobre la toma. Después de insertarlo, se debe presionar la tapa para trabarla.
5. Para remover el enchufe hay que levantar la tapa y luego halar.





## Manejo de su Limpiafondos de Piscina



### a. Indicador LED de corriente

El LED azul titila cuando la corriente está en modo de espera y se enciende continuamente cuando el aspirador se encuentra trabajando. El botón de potencia cambia entre encendido (ON) y en espera (STANDBY)

### b. Botón de potencia

El botón de potencia cambia entre encendido (ON) y en espera (STANDBY).

**IMPORTANTE-** Después de cada ciclo el aspirador de piscina pasa automáticamente a modo en espera (STANDBY). En caso de que desee apagar la máquina durante el ciclo de trabajo, presione el botón "POWER" una vez y el LED comenzará a titilar, indicando que la máquina ha dejado de funcionar.

### IMPORTANTE:

Por favor asegúrese de mantener su limpiador de piscinas apropiadamente almacenado en cualquier lugar con una temperatura entre los 10 a 40 grados Celsius (50 a 104 grados Fahrenheit). Esto mantendrá los motores, plásticos y juntas protegidos. El incumplimiento resultará en la pérdida de la garantía.

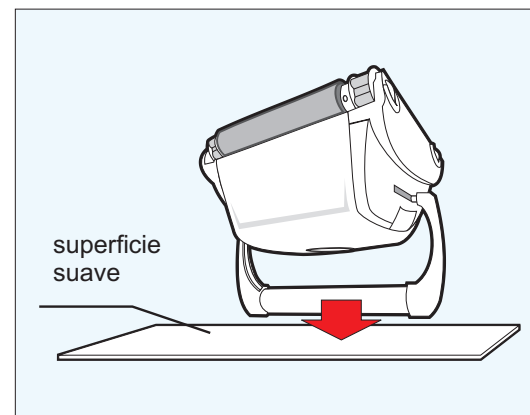
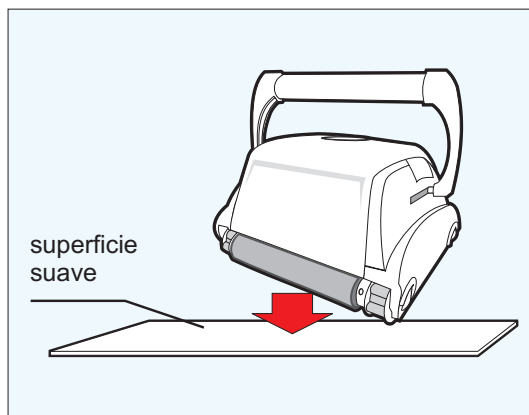
El Limpiafondos puede ser usado en el agua con temperaturas de 13 a 35 grados centígrados (55 – 95F). Nuestra recomendación es una temperatura óptima de 22 a 32 grados centígrados (72 – 90F).

## Mantenimiento y Ajuste del Limpiafondos

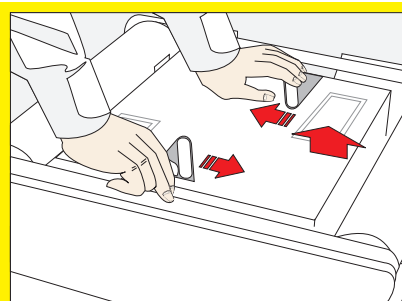
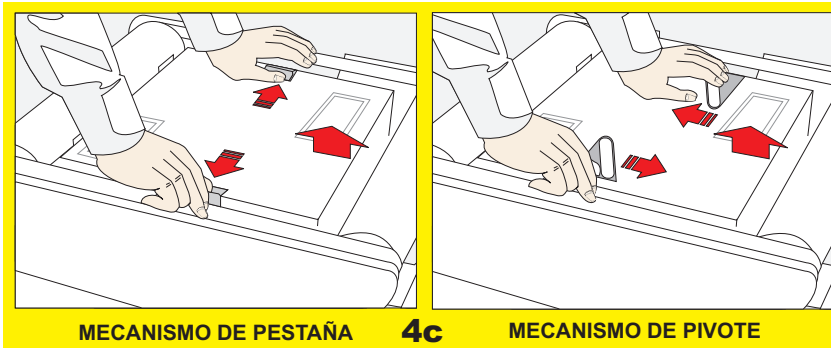
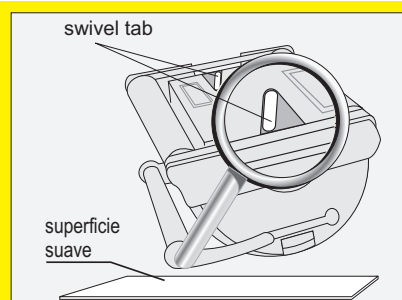
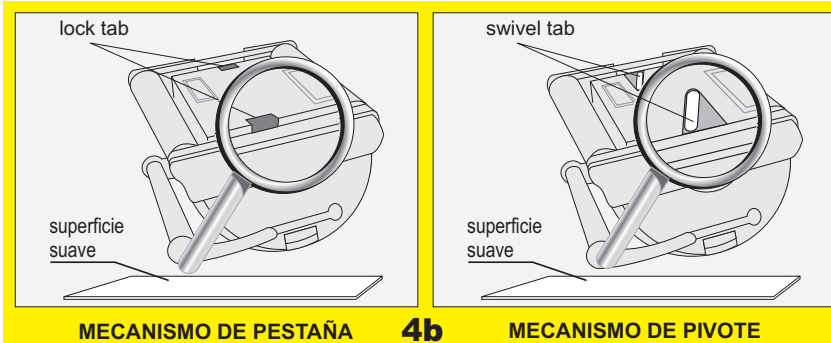
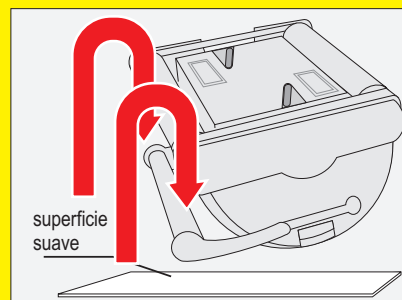
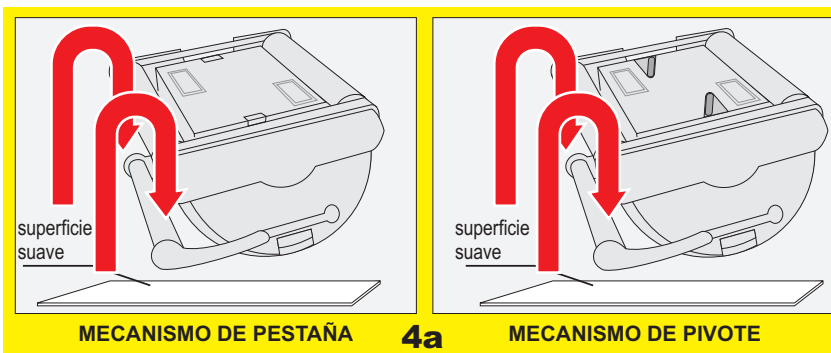
### PRECAUCIÓN:

Si quiere evitar arañazos u otro tipo de daño o imperfecciones que aparezcan en su Robot, busque una superficie plana/ suave donde pueda ponerlo para limpiar la suciedad del filtro o para realizar pequeños ajustes.

Estos arañazos pueden crear cambios en la superficie y bordes del Robot que puedan dañar la superficie flexible de ciertas piscinas



## Mantenimiento y Ajuste del Limpiafondos



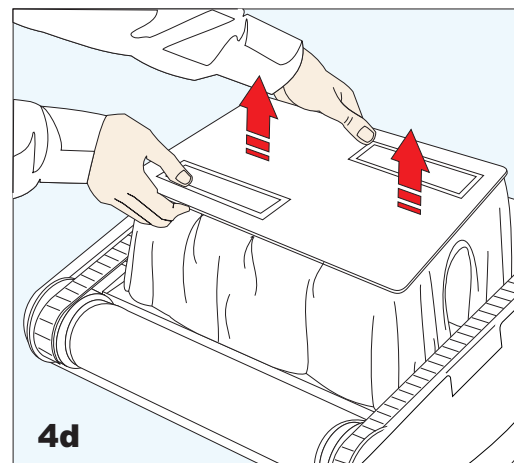
### LIMPIAR LA BOLSA FILTRO DESPUÉS DE CADA CICLO DE LIMPIEZA

- Desenchufar el transformador. ( Cuidar que el enchufe no entre en contacto con el agua )
- Si el equipo está dentro del agua, tire suavemente del limpiafondos utilizando el cable eléctrico hasta que el asa esté a su alcance. Utilice el asa ( no el cable ) para sacar el limpiafondos de la piscina, después de dejar que escurra la mayor parte del agua.
- Coloque el equipo boca abajo sobre una superficie lisa y suave ( para que no se produzcan arañazos en la carcasa ) desbloquee y retire la tapa del fondo que contiene la bolsa filtro. ( fig. 4 a, 4 b, 4 c, 4 d )

(Continúa en la página siguiente)

#### NOTA:

Dependiendo de su modelo, hay 2 tipos de mecanismo que cierran la tapa del filtro: de pestaña o de pivote. Por favor siga las instrucciones en el diagrama de acuerdo a su modelo.



## Mantenimiento y Ajuste del Limpiafondos

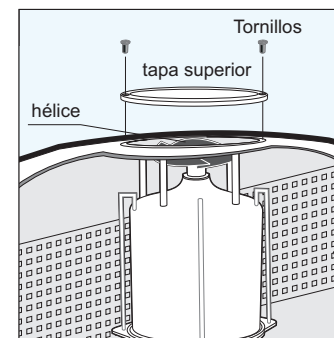
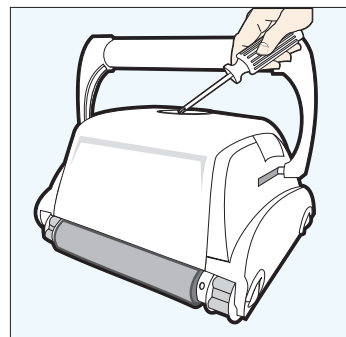


(continued from the previous page)

- d. Retire la bolsa de las barras de soporte, vuévalas del revés y lávela con una manguera o sumergiéndola en agua hasta quitar toda la suciedad. Escurra la bolsa filtro suavemente hasta que el agua del enjuague salga limpia. Si fuera necesario lávela a máquina usando agua fría SIN DETERGENTE ( fig. 5)
- e. Vuelva a colocar la bolsa filtro en las barras de soporte, centrando la etiqueta en uno de los lados largos de la tapa del fondo. (5a)
- f. Coloque nuevamente la tapa del fondo en la carcasa. Presione sobre la tapa hasta que las pestañas de sujeción la cierren correctamente.

### SUGERENCIAS ÚTILES:

- Apague y desconecte el transformador cada vez que saque el limpiafondos del agua
- Limpie la bolsa filtro después de cada ciclo de limpieza
- Cambie la posición del asa después de cada ciclo de limpieza para evitar que se retuerza el cable eléctrico
- Periódicamente estire al máximo el cable eléctrico
- Cambie los cepillos gastados para lograr el máximo rendimiento del equipo
- Asegúrese que su limpiafondos se posiciona correctamente cuando sube la pared. El asa debe estar en paralelo a la línea del agua hasta alcanzar la superficie
- Conserve la caja del limpiafondos para su almacenamiento fuera de temporada o para su envío al servicio técnico si fuera necesario
- Mantenga su limpiafondos en el agua de 15 a 20 minutos después de cada ciclo de limpieza
- **No deje su limpiafondos al sol cuando no lo esté utilizando**
- **Nunca deje el transformador expuesto al sol y tampoco bajo la lluvia**
- De vez en cuando deberá lavar el limpiafondos con agua limpia usando una manguera. Esto prolongará la vida de los cepillos y de las correas de tracción y de transmisión
- **Limpie la hélice al menos una vez al mes**



### Como limpiar el motor de filtración:

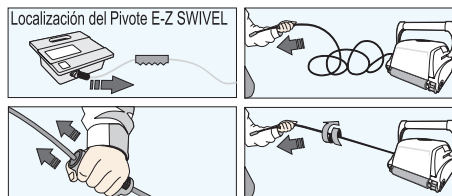
1. Desatornille los 2 tornillos (4) de la tapa superior
2. Quite la tapa superior y remueva el pelo y otro tipo basura que este alrededor de la hélice

### CUIDADO DEL CABLE ELECTRICO

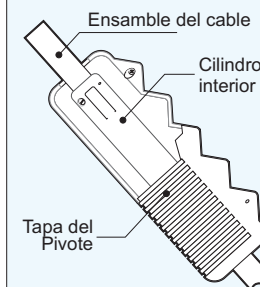
El cable se puede enredar o trenzar después de un tiempo de uso. Para corregir ésta situación, simplemente bloquee el asa movable en la posición diagonal contraria. La máquina comenzará a moverse en la dirección opuesta mientras realiza la limpieza y el cable se irá desenredando. Si el trenzado del cable no desaparece, utilice el pivote E-Z (E-Z Swivel). Periódicamente verifique que el cable no tiene daños externos.

Coloque el Robot en el suelo y desconecte el cable del transformador. Con una mano sujete el Pivote E-Z camine alejándose del Robot mientras estira el cable en toda su longitud. El cilindro interior rotará haciendo que el cable se desenrolle

Localización del Pivote E-Z SWIVEL



### E-Z SWIVEL



patent pending

## Guía para resolver Problemas

POR FAVOR REVISE LO SIGUIENTE ANTES DE CONTACTAR AL SERVICIO TÉCNICO

Antes de empezar, el robot tiene que estar desconectado del transformador y este a su vez de la corriente para evitar daños a la unidad y personales.

Use como referencia el dibujo de partes incluido al final de esta guía y siga los números que a continuación aparecen.

### 1. Si la unidad no bombea agua o no se mueve:

- Asegúrese que la toma-corriente (22) tiene electricidad
- Asegúrese que el transformador (16) está conectado a un toma-corriente con toma de tierra y que el cable azul está conectado al transformador \*
- Encienda y apague varias veces la fuente de potencia. Deje que transcurran 45 segundos entre "Encendido" (ON) y "Apagado" (OFF).
- Revise que no hayan partículas extrañas (pelos, hojas) que obstruyan el movimiento de la polea (5), las correas (6) o la tracción (7).
- Cerciórese que las correas (6) y la tracción (7) están alineados correctamente y que están lo suficientemente tensos. Ajustelos o reemplácelos si es necesario.

### 2. La unidad bombea muy poca agua o no bombea pero se mueve:

- Asegúrese que la hélice (1) no está bloqueado debido a ninguna acumulación de pelo u otro tipo de basura. Remover los tornillos situados en la parte superior del robot (1) y limpie la hélice. No apriete los tornillos demasiado al poner la tapa de nuevo.
- Asegúrese de que la bolsa de filtro (12) está limpia y límpiela si es necesario.
- Si no fue necesario hacer nada en los puntos (a) y (b) de esta sección, revise el motor de la bomba (2). De no funcionar, mande la unidad a su centro de servicio.

### 3. La unidad no se mueve pero bombea agua:

- Asegúrese de que el movimiento hacia delante o hacia atrás no estén obstruidos por pelo, hojas, basura, etc. en las correas (6) o en la tracción (7) o que el cable eléctrico no esté enredado. Limpie la unidad si es necesario.
- Asegúrese que las correas (6) no se han movido de su sitio y de que tengan la tensión necesaria. Reemplácelos si fuera necesario.
- Asegúrese que las conexiones al motor (3) estén bien.
- De no haber problemas con (a), (b) y (c) de esta sección, revise el motor principal y secundario. Si uno de los dos no está funcionando correctamente mande la unidad a su centro de servicio.

### 4. La unidad no recoge la suciedad

- Comprobar 2 a y 2 b de esta guía.
- Comprobar las válvulas de la tapa de fondo (23) en la parte de debajo de la unidad. Las válvulas deben moverse libremente para abrir y cerrar. Limpie y deje libre la válvula si fuese necesario.

### 5. La unidad no cubre la piscina en su totalidad

- Realizar una buena limpieza de la bolsa filtrante (12)
- Comprobar que el cable azul (15) está correctamente desenrollado
- Deje que el robot realice el ciclo completo en la piscina
- Asegúrese que el asa del robot (14) está fijado diagonalmente en ambos extremos
- Compruebe que el motor de filtración (2) está funcionando. Por favor diríjase a la solución de problemas en la sección titulada "Se mueve pero no recoge la suciedad".
- Después de comprobar todo lo indicado si todavía existe el problema, contacte con el distribuidor.

### 6. La suciedad sale del robot cuando se saca de la piscina ( la tapa de fondo no cierra correctamente)

- Compruebe que las pestañas de la tapa de fondo (24) no estén dobladas. Deben estar rectas y alineadas con el cuerpo de la unidad.
- Compruebe que las válvulas de la tapa de fondo (23) en el revés de su unidad (en la tapa de fondo) se mueve libremente para abrir y cerrar. Limpie la pestaña si fuese necesario.

### 7. El cable está torcido:

- Cambie la posición del asa al contrario.
- Use la pieza E-Z (vea el capítulo "cuidado del cable eléctrico")

\*El cable del transformador solo puede ser reemplazado con la ayuda de una herramienta especial solo disponible en su centro de servicio.

# PORTUGUÊS

## IMPORTANTES INSTRUÇÕES DE SEGURANÇA LEIA E SIGA TODAS AS INSTRUÇÕES

**CUIDADO:** Não ligue a fonte de alimentação em uma tomada aterrada e não ligue "ON" o limpador de piscina se o mesmo não estiver totalmente submerso na água. Operar o limpador fora da água causa severos danos imediatos e resulta na perda da garantia.

Deixe o limpador ficar na piscina por 15 a 20 minutos seguindo o final de seu ciclo de limpeza. Isto permite que os motores esfriem adequadamente. Não deixe o limpador dentro da piscina todo o tempo. Lembre-se sempre de desligar/OFF a fonte de alimentação e retirar o limpador da tomada elétrica antes de removê-lo da piscina.

**ADVERTÊNCIA:** O limpador não deve ser usado quando houver pessoas na água. Para utilização somente em piscinas de natação.

### Nota de segurança

- A unidade deve ser alimentada através de um disjuntor diferencial (DR) que tenha uma corrente operacional residual classificada, que não exceda 30 mA.
- A conexão com o circuito ramal deve ser coerente com as regras de fiação locais e nacionais.
- O manejo indevido da unidade pode resultar em vazamento de lubrificantes.
- Se o fio de alimentação estiver danificado, ele deve ser substituído pelo agente de serviço do fabricante ou por uma pessoa qualificada e treinada a fim de se evitar riscos.



Este aparelho não foi projetado para ser usado por pessoas (incluindo crianças) com capacidades físicas, sensoriais ou mentais reduzidas ou com falta de experiência e conhecimento, a menos que recebam supervisão ou instrução referentes ao uso do aparelho por uma pessoa responsável pela sua segurança. Crianças devem ser vigiadas para garantir que não brinquem com o aparelho.



**ADVERTÊNCIA:** Um interruptor de corrente de falha de aterramento (GFCI-USA) ou um dispositivo de corrente residual (RCD-EUROPA) deve ser instalado para proteger sua tomada elétrica e prevenir qualquer choque elétrico possível.

## GUARDE ESTAS INSTRUÇÕES

Estimado cliente:

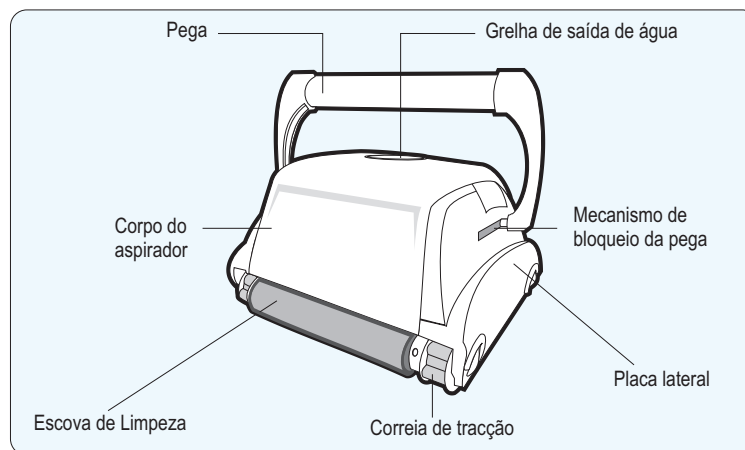
Obrigado por ter escolhido o aspirador para a limpeza da sua piscina. Estamos seguros de que ficará satisfeito ao utilizar o seu novo aspirador para manter a sua piscina limpa durante anos.

Antes de começar a utilizá-lo dedique alguns minutos do seu tempo para ler o manual de instruções.

Mais uma vez, obrigado por ter escolhido o aspirador.

## Componentes

Apesar da aparência do seu aspirador e alguns dos seus componentes serem diferentes dos que aparecem aqui, as funções do aspirador e a sua manutenção são as mesmas.



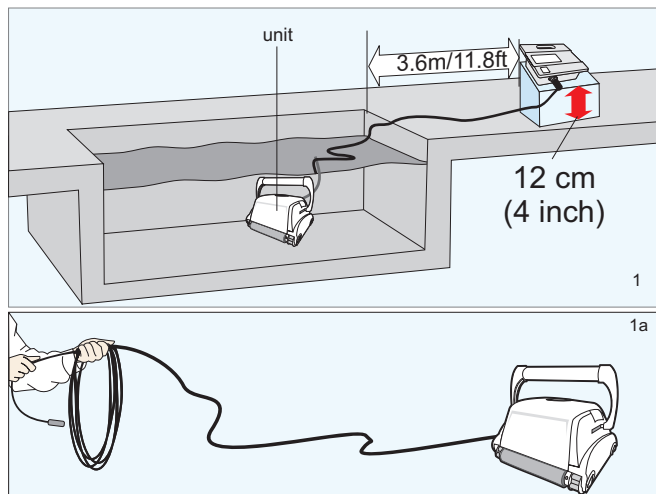
**O seu novo aspirador automático de piscina contém:**

- Aspirador automático com cabo flutuante eléctrico
- Transformador.
- Carrinho (opcional)

**Leia cuidadosamente este manual antes de colocar em funcionamento o seu aspirador.**

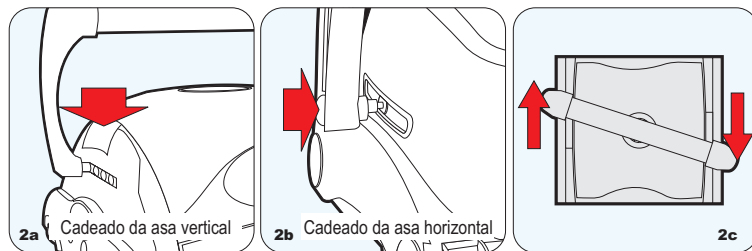
## Utilização do Aspirador

1. Coloque a alimentação eléctrica (transformador) a ao menos 3,6 metros / 11,8 pés da piscina e ao menos a 12 cm / 4 polegadas acima da superfície (fig. 1). O transformador fornecerá baixa voltagem ao limpador.
2. Desenrole o cabo (fig. 1a)

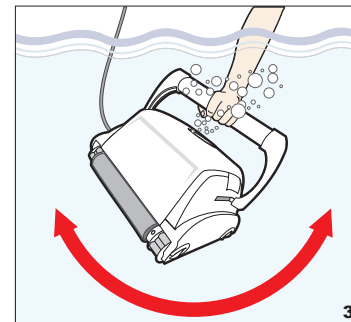


3. Para a operação adequada, trave a alavanca movível de forma diagonal na parte superior do corpo do limpador. Pressione o **mecanismo de trava** da alavanca e deslize a alavanca até o final (recomenda-se um orifício antes do final) e então solte a trava. Dependendo do modelo, o **botão de trava** da alavanca pode ser **vertical ou horizontal** (fig. 2a, 2b). A alavanca permanecerá fixa nesta posição. Repita este processo no outro lado do limpador.

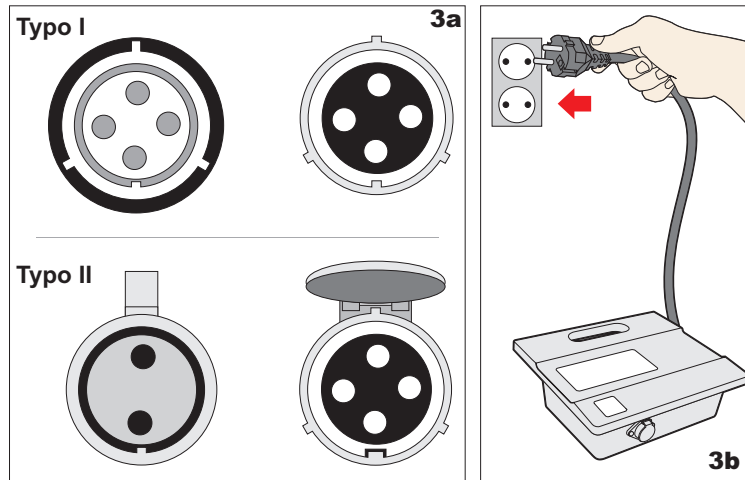
Lembre-se, a alavanca deve ser fixada de forma diagonal (fig. 2c)



4. Coloque o aspirador dentro da piscina. Balance-o para a esquerda e para a direita para que expulse o ar que possa haver no seu interior e depois largue o aspirador e deixe que chegue ao fundo da piscina (fig.3). Espalhe o cabo o mais uniforme possível pela superfície da piscina (fig. 1).



5. Conecte o cabo à fonte de alimentação. Dependendo do seu modelo (Tipo I ou Tipo II), certifique-se de que a chave no plugue corresponde exactamente à ranhura na tomada da fonte de alimentação (fig.3a). Ligue a fonte de alimentação em uma tomada conectada à terra. Certifique-se de que a tomada eléctrica está devidamente conectada à terra (fig.3b). Prima o botão "ON" na fonte de alimentação. A luz acenderá indicando que o sistema está "LIGADO" e o limpador de piscina começará o ciclo de limpeza. A máquina mantém registo do número de ciclos de limpeza. Somente um centro de serviços autorizado pode exibir os ciclos de limpeza acumulados. (Ver detalhes na próxima página)

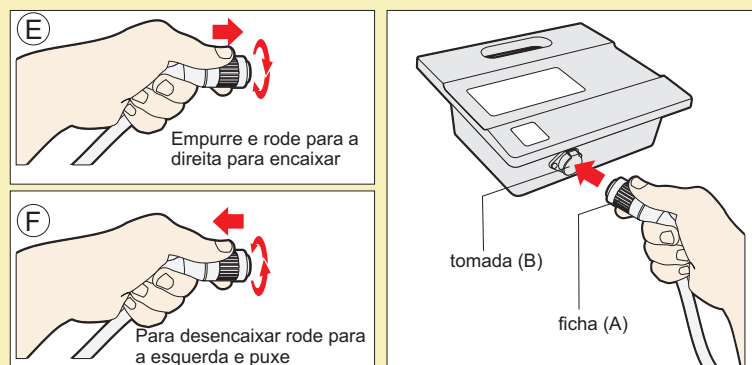
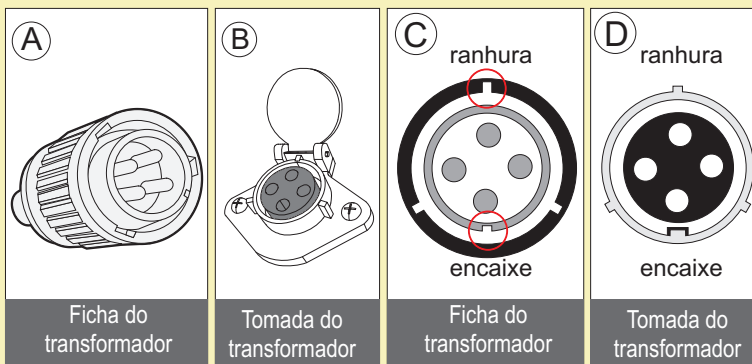


## Utilização do Aspirador

### Plugues Tipo I

Para conectar o cabo (Fig. A) na tomada da fonte de alimentação (Fig. B), por favor, faça o seguinte:

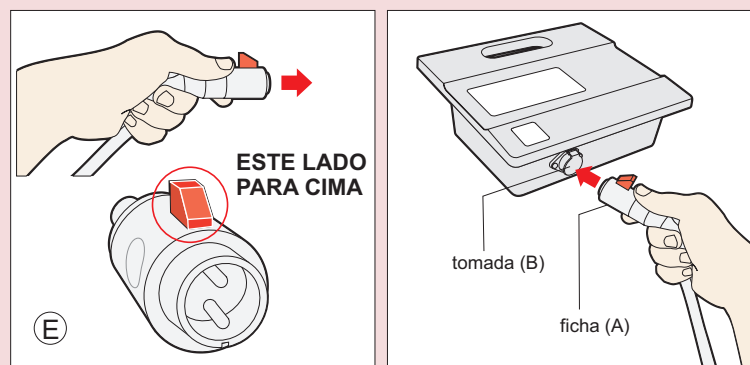
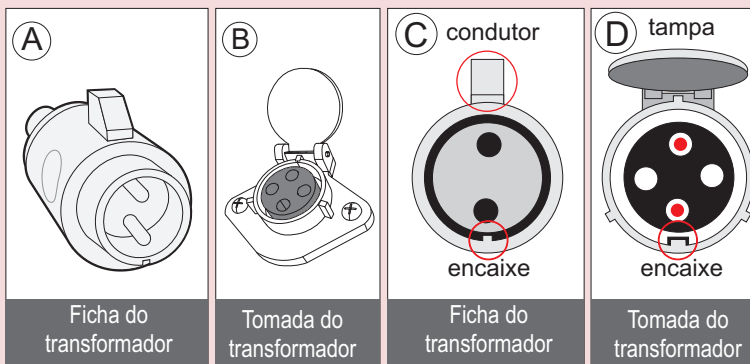
1. Prepare o plugue conforme visto na (Fig. C) com a chave e 3 entradas externas, exactamente como mostrado.
2. Encaixe exactamente a chave e as ranhuras do plugue do cabo com a chave e as entradas correspondentes da tomada da fonte de alimentação. (Fig. D)
3. Empurre completamente o plugue para dentro da tomada da fonte de alimentação.
4. Assim que o plugue estiver conectado, gire-o para a esquerda para prendê-lo no lugar (Fig. E).
5. Para remover o plugue, primeiramente gire-o para a esquerda para desprendê-lo, então puxe-o para fora (Fig. F).



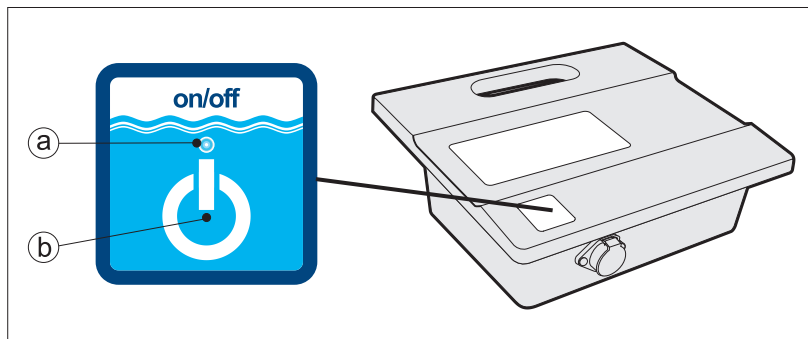
### Plugues Tipo II

Para conectar o cabo (Fig. A) na tomada da fonte de alimentação (Fig. B), por favor, faça o seguinte:

1. Prepare o plugue conforme visto na (Fig. C) com a chave e o condutor exactamente como mostrado.
2. O condutor deve ficar virado para cima (Fig. E) para poder ficar com a tampa da tomada aberta. A tampa travará o cabo no lugar.
3. Encaixe a chave exactamente com a ranhura correspondente da tomada da fonte de alimentação. Apesar de a tomada ter 4 furos, somente o de cima e o de baixo serão usados (Fig. D)
4. Empurre o plugue na tomada de energia até o fim. Depois de inserir o plugue totalmente, a tampa deve ser premeida sobre ele para segurá-lo.
5. Para remover o plugue, você precisa levantar a tampa e depois puxar.



## Utilização do Aspirador



### a. LED de energia

O LED azul fica intermitente quando a fonte de alimentação está no modo standby e acende de modo contínuo quando o limpador da piscina está em operação. O botão Power alterna entre ON e STANDBY

### b. Botão "POWER"

O botão "POWER" alterna entre "ON" e "STANDBY".

**IMPORTANTE-** Após cada ciclo, o limpador de piscina entra em "standby" automaticamente. Caso desejar desligar a máquina durante o ciclo de funcionamento, prima o botão "power" uma vez e o LED ficará intermitente, a indicar que a máquina parou de funcionar.

### IMPORTANTE:

Verifique que o seu aspirador é armazenado adequadamente entre os 10 e os 40°C. Isto fará com que os motores, plásticos, etc, estejam protegidos. Caso isto não seja feito resultará em perda automática da garantia.

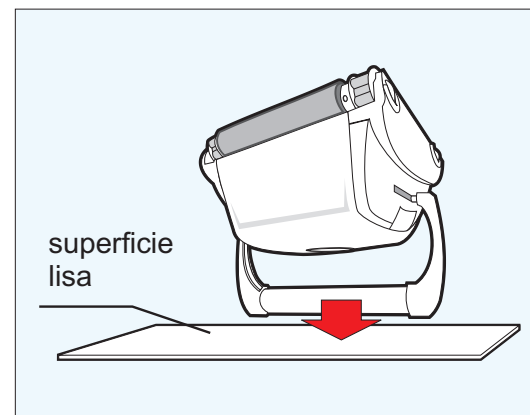
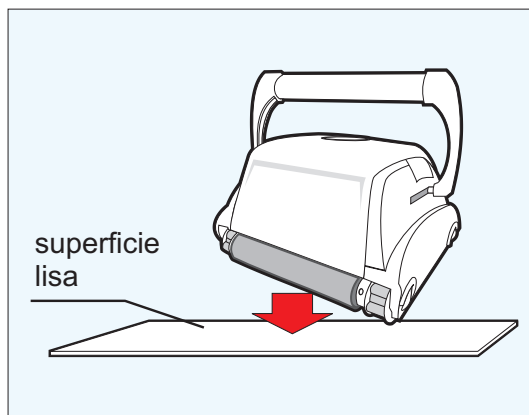
O robô pode ser utilizado na água em temperaturas que variam entre 13°C a 35°C (55°F a 95°F)

Contudo, a temperatura ótima recomendada é entre 22°C - 32°C (72°F - 90°F)

## Manutenção do Aspirador

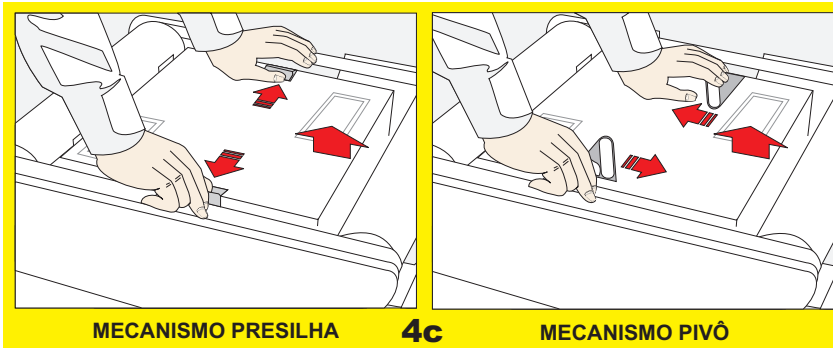
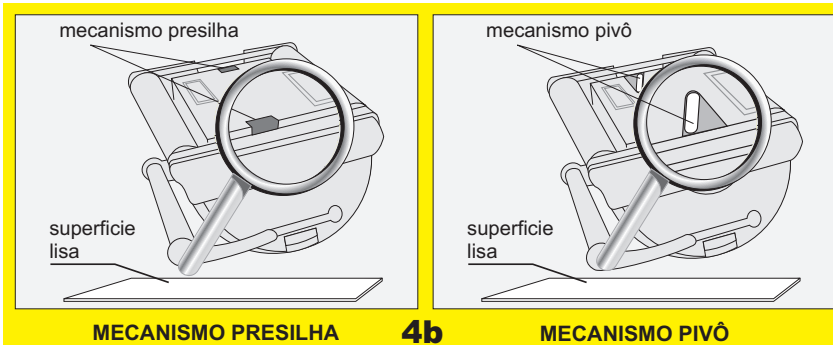
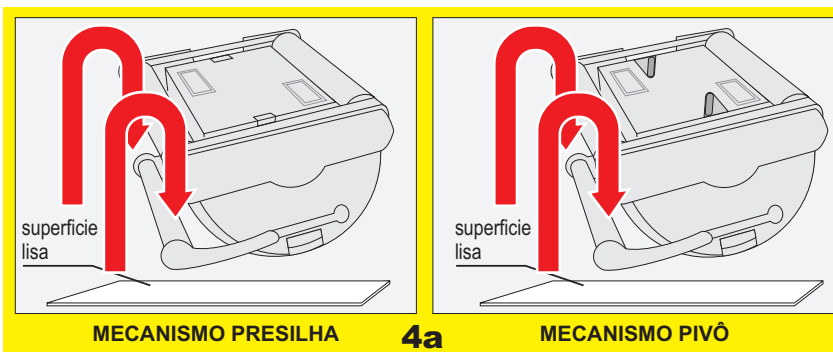
### ATENÇÃO:

Para evitar riscos e que outras deformações apareçam no aspirador, coloque-o numa superfície lisa quando estiver a fazer algum tipo de manutenção no equipamento. Os riscos podem danificar os cantos suaves do aspirador, o que pode provocar danos nas piscinas de fibra.





## Manutenção do Aspirador



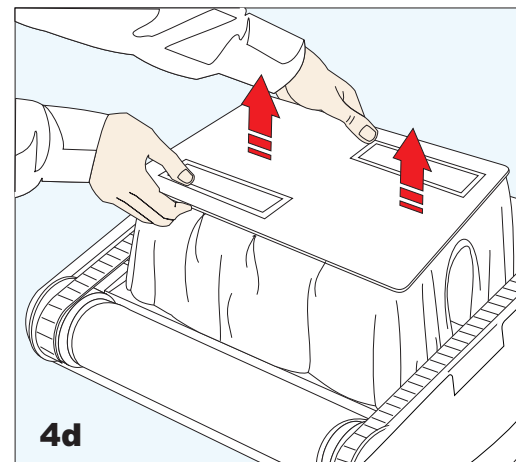
### LIMPE O SACO-FILTRO APÓS CADA CICLO DE LIMPEZA

- Desligue o transformador (cuidado para não entrar em contacto com água).
- Se o aspirador estiver na piscina, puxe-o até conseguir agarrar na pega. Utilize a pega (não o cabo) para tirar o aspirador da piscina, e deixe escorrer a água que se encontra dentro do equipamento.
- Deite o aspirador de costas sobre uma superfície lisa (para não danificar a estrutura), desprenda e remova o painel (fig. 4a, 4b, 4c e 4d).

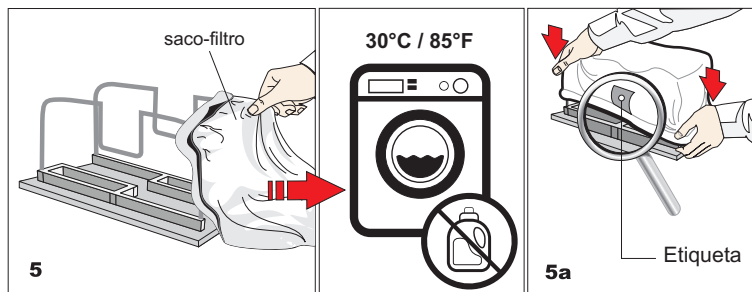
(Continua na página seguinte)

#### NOTA:

Dependendo do seu modelo, há dois tipos de mecanismos para fechar a tampa do filtro: de presilha ou de pivô. Por favor siga as instruções no diagrama de acordo com o seu modelo.



## Manutenção do Aspirador

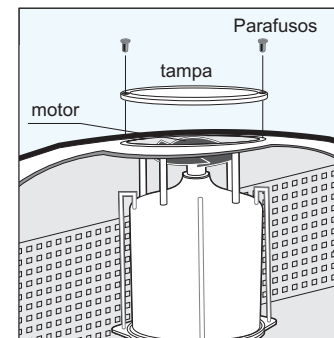
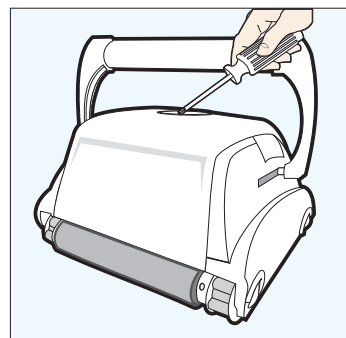


(continua da página anterior)

- d. Remova o saco das barras a que está preso, vire-o e lave-o com uma mangueira ou submergindo-o, até remover toda a sujidade. Enxague o saco apertando-o cuidadosamente. Se necessário, lave o saco na máquina usando só água fria SEM DETERGENTE! (fig. 5).
- e. Coloque novamente o saco nas barras de suporte com a etiqueta no centro de uma das barras do painel (fig. 5a).
- f. Volte a colocar o painel no aspirador, pressionando com pouca força até que encaixe.

### CONSELHOS IMPORTANTES:

- Desligue o transformador e retire o cabo da tomada cada vez que tirar o aspirador da água.
- Limpe o saco-filtro depois de cada ciclo de limpeza.
- Deve inverter a pega após cada ciclo de limpeza para evitar que o cabo se enrole na mesma.
- Periodicamente, endireite o cabo.
- Substitua as escovas quando desgastadas para se assegurar uma óptima limpeza.
- Assegure-se de que o seu aspirador adopta a posição correcta na parede da piscina. A pega deve permanecer paralela à linha d'água quando atinge a superfície da água.
- Guarde a caixa do aspirador para guardar o aspirador ou para quando precisa de o enviar para assistência técnica.
- Mantenha o aspirador na água durante 15 a 20 minutos depois de cada ciclo de limpeza.
- **Não deixe o aspirador exposto à luz directa do sol quando não está a ser utilizado.**
- **Nunca deixe o transformador exposto à luz directa do sol ou à chuva.**
- Ocasionalmente, deve lavar o seu aspirador com água limpa utilizando de preferência uma mangueira. Isto aumentará a duração útil das correias, escovas, etc.
- **Limpe o motor/hélice uma vez por mês (consulte a página seguinte para mais detalhes).**



### Limpeza do motor da bomba

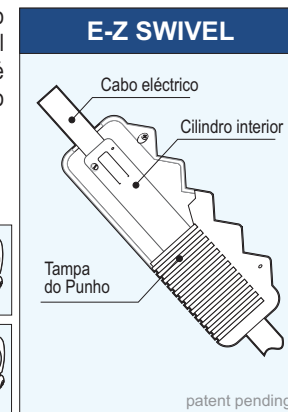
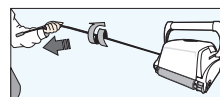
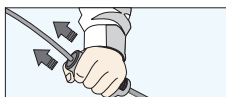
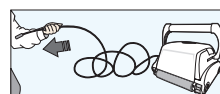
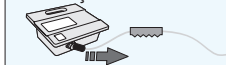
- 1) Retire os 2 (4) parafusos da tampa.
- 2) Retire a tampa e remova os detritos que existirem à volta do motor.

### CUIDADOS COM O CABO ELÉCTRICO

O cabo pode ficar torcido após algum tempo de uso. Para corrigir isto, bloqueie a pega do aspirador na diagonal oposta. O aspirador irá movimentar-se na posição oposta enquanto limpa a piscina e o cabo irá ficar destorcido. Verifique periodicamente o estado do cabo, pois pode ter alguns danos. Se o problema persistir, use o punho E-Z Swivel. Periodicamente verifique se o cabo tem danos externos.

Coloque o aspirador no chão e desligue o cabo do transformador. Com uma mão segure o E-Z Swivel (fig.3) e afaste-se do aspirador, puxando o cabo até ao fim. O cilindro interior rodará fazendo com que o cabo se desenrole.

Localização do E-Z SWIVEL



## Guia de problemas

POR FAVOR VERIFIQUE OS SEGUINTESS POSSÍVEIS PROBLEMAS, ANTES DE CONTACTAR O NOSSO SERVIÇO

Antes de verificar os problemas, o aspirador deve ser desligado da corrente e o transformador também, para evitar danos no equipamento e danos pessoais.

Para verificar as referências, consulte a lista das peças na última página do manual de instruções.

### 1. O equipamento não bombeia água ou não se move:

- Verifique se a tomada (22) tem electricidade.
- Verifique se o transformador (16) está ligado a uma tomada com terra e se o cabo azul está ligado ao transformador\*.
- Ligue e desligue a alimentação eléctrica algumas vezes. Espere 45 segundos entre "ON" e "OFF".
- Verifique se há detritos e remova-os - cabelos, fios ou folhas - podem estar a obstruir o movimento das engrenagens (5), das correias principais (6) ou das correias de tracção (7).
- Verifique se as correias principais (6) ou as correias de tracção (7) estão correctamente alinhadas e esticadas. Ajuste ou substitua, se necessário.

### 2. O aspirador não bombeia nenhuma água, ou bombeia muito devagar, mas move-se:

- Verifique se o motor/hélice (1) está preso devido à acumulação de detritos no motor. Remova os parafusos da tampa (1) e limpe o motor. Quando voltar a instalar a tampa, não aperte demais os parafusos.
- Verifique se o saco-filtro (12) está bem limpo. Se não estiver, limpe-o muito bem.
- Se as hipóteses "a" e "b" forem negativas, verifique o motor de filtração (2). Se não estiver a funcionar contacte o seu revendedor.

### 3. O aspirador não se move mas bombeia água:

- Empurre o aspirador para a frente e para trás para ver se existe obstruções de cabelos, detritos, etc, nas correias principais (6) ou nas correias de tracção (7), ou se o cabo está enrolado. Limpe se necessário.
- Verifique se as correias principais (6) saíram do sítio. Verifique igualmente a tensão das mesmas. Se necessário substitua-as.
- Verifique se existem ligações soltas no motor de direcção.
- Se "a", "b" e "c" forem negativas, verifique o motor principal e o secundário. Se um deles não funcionar, envie o aspirador para reparação.

### 4. O aspirador não recolhe a sujidade nem os detritos:

- Verifique as hipóteses 2.a) e 2.b) deste guia de problemas.
- Verifique as membranas (23) por baixo do aspirador. Elas devem fechar e abrir livremente. Limpe e desobstrua as membranas (23) caso seja necessário.

### 5. O aspirador não limpa toda a piscina:

- Muito possivelmente o saco-filtro (12) necessita de uma limpeza profunda.
- Se o cabo azul (15) está correctamente espalhado e sem estar enrolado.
- Coloque o aspirador na piscina para realizar um ciclo inteiro de limpeza.
- Assegure-se de que a pega flutuante (14) está colocada na diagonal e presa no cimo do aspirador.
- Verifique se o motor de filtração (2) está a funcionar. Veja o ponto 4 deste guia.
- Depois de ter verificado todos os pontos anteriores, se o problema persistir, contacte o seu revendedor.

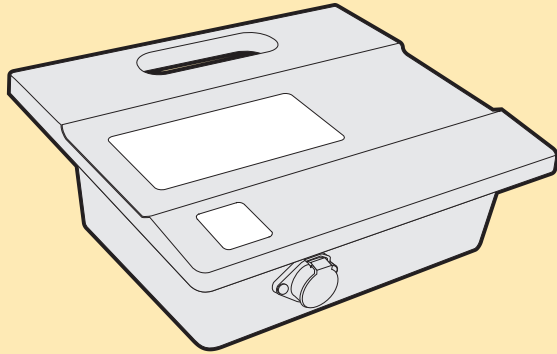
### 6. Os detritos saem do aspirador quando se tira o equipamento para fora da piscina (a tampa inferior não fecha correctamente)

- Verifique se os fechos da tampa do fundo (24) não estão entortados. Devem estar direitos e alinhados com o aspirador.
- Verifique as membranas (23) por baixo do aspirador. Elas devem fechar e abrir livremente. Limpe-as caso seja necessário.

### 7. O cabo está torcido:

- Inverta o sentido diagonal da pega.
- Use o acessório "E-Z swivel" (desenrolador) como indicado em baixo. (ver o capítulo "Cuidados com o cabo eléctrico")

\* O cabo do transformador só pode ser substituído com a ajuda de ferramentas próprias, as quais normalmente só os revendedores ou distribuidores autorizados possuem.



### Grounding

The power supply must be connected to a grounded 3 conductor socket. The mains power supply must be connected via a GFCI (ground fault circuit interrupter) or RCD (residual current device) having a rated residual operating current not greater than 30mA.

### Fuse

The fuse must be changed by an authorized service agent or trained and qualified person only. For continued protection against risk of fire, replace only with the same type and rating of fuse.

### Maintenance and safety

The cover should not be removed except by an authorized service agent or trained and qualified person. No internal adjustment or component replacement can be carried out by the user. The power cable must be disconnected before removing the cover.

If the power supply cord is damaged, it must be replaced by an authorized service agent or trained and qualified person. Do not operate the supply if the cord is damaged.

### Environmental conditions

The power supply is designed to work both indoors and outdoors. However, the unit should not be operated in direct sunlight or be exposed to water. The power supply should not be operated in an ambient temperature in excess of 40°C.

### Erdung

Das Netzteil muss an eine geerdete 3-adrige Steckdose angeschlossen werden. Der Netzanschluss muss an einem GFCI/RCD (FI-Schutzschalter) angeschlossen sein, der einen bestimmten Differenzstrom von nicht mehr als 30 mA überschreitet.

### Sicherung

Die Sicherung sollte nur von einem autorisierten Kundendienstmitarbeiter oder einem qualifizierten Techniker ersetzt werden. Ersetzen Sie die Sicherung nur mit demselben Typ und derselben Absicherung für den fortlaufenden Schutz gegen Brandgefahr.

### Wartung und Sicherheit

Die Abdeckung sollte nur von einem autorisierten Kundendienstmitarbeiter oder einem qualifizierten Techniker entfernt werden. Kein(e) interne Einstellung oder Komponentenaustausch sollte vom Benutzer durchgeführt werden. Das Netzkabel muss vor dem Entfernen der Abdeckung von der Steckdose getrennt werden.

Wenn das Netzanschlusskabel beschädigt ist, muss es durch einen autorisierten Kundendienstmitarbeiter oder qualifizierten Techniker ersetzt werden. Bedienen Sie das Gerät nicht, wenn das Kabel beschädigt ist.

### Äußere Bedingungen

Das Netzteil wird so konzipiert, um im Innen- und Außenbereich zu funktionieren. Jedoch sollte die Einheit keinem direkten Sonnenlicht oder Wasser ausgesetzt sein und in keiner Umgebungstemperatur von über 40°C bedient werden.

### Physical

Dimensions (W \* D \* H) \_\_\_\_\_ 273mm \* 242mm \* 90mm  
Weight \_\_\_\_\_ 1.9 Kg

### Electrical

Input rating \_\_\_\_\_ 100-240V~, 50/60Hz, 210W  
Output rating \_\_\_\_\_ 29V ,6.3A.  
Storage temperature \_\_\_\_\_ -10° C - 60° C  
Operating temperature \_\_\_\_\_ 0° C - 45° C  
Ingress protection \_\_\_\_\_ IP54

### Physikalische Daten

Abmessungen (B \* T \* H) \_\_\_\_\_ 273mm \* 242mm \* 90mm  
Gewicht \_\_\_\_\_ 1.9 Kg

### Elektrische Daten

Eingangsspannung \_\_\_\_\_ 100-240V~, 50/60Hz, 210W  
Ausgangsspannung \_\_\_\_\_ 29V ,6.3A.  
Aufbewahrungstemperatur \_\_\_\_\_ -10° C - 60° C  
Betriebstemperatur \_\_\_\_\_ 0° C - 45° C  
Schutzart \_\_\_\_\_ IP54

**External Timer  
Capability**



This feature will enable the end user to program the cleaning schedule through an external timer (sold separately).

**Capacité de  
Minuteur Externe**



Ce robot nettoyeur de piscine peut être programmé via un minuteur externe (vendu séparément).

**Externen Timer  
Funktion**



Dieser robotische Schwimmbeckenreiniger kann mithilfe eines externen Timers (separat verkauft) programmiert werden.

**Timer Esterno  
Capacità**



Questo robot per la pulizia delle piscine ha la capacità di essere programmato con un timer esterno (fornito separatamente).

**Capacidad  
Temporizador Externo**

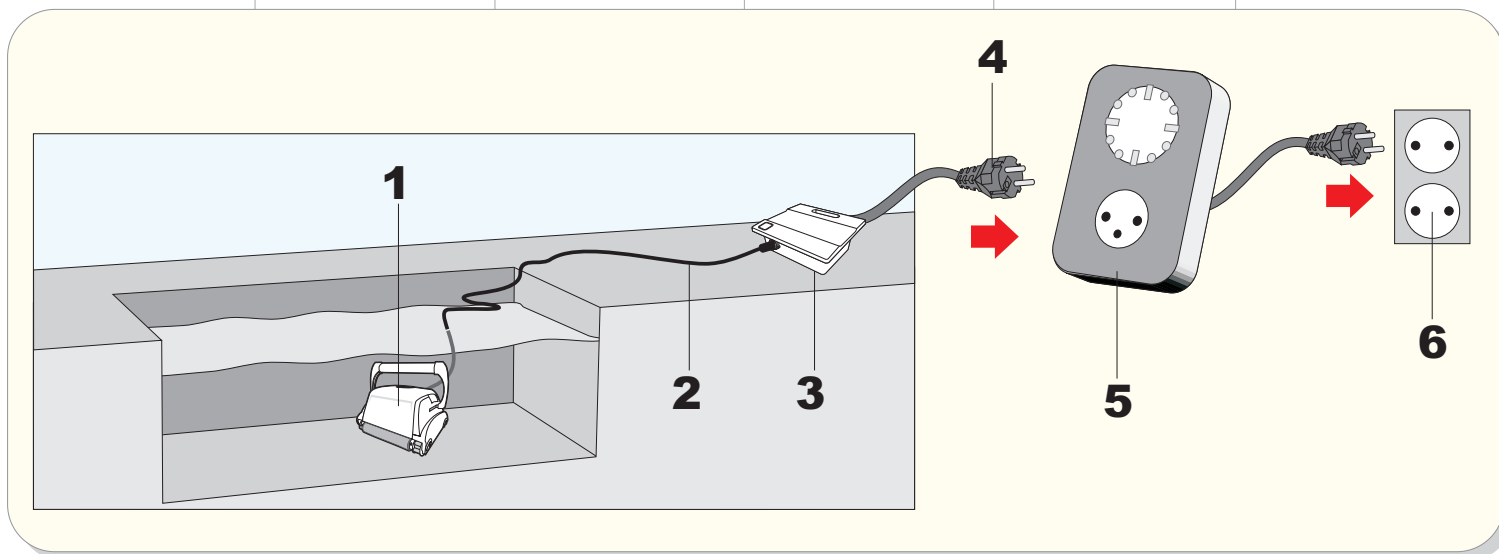


Este robot limpiador de piscinas tiene la capacidad de ser programado a través de un temporizador externo (de venta por separado).

**Capacidade  
Temporizador Externo**



O robô limpador de piscinas tem a capacidade de ser programado através de um temporizador externo (vendido separadamente).



1. Unit
2. Cable
3. Power supply
4. Transformer plug
5. External timer
6. Outlet

1. Unité
2. câble
3. alimentation
4. Transformateur fiche
5. minuterie externe
6. prise

1. Unit
2. Kabel
3. Stromversorgung
4. Trafostecker
5. externe Timer
6. Auslauf

1. unità
2. cavo
3. alimentazione
4. trasformatore spina
5. timer esterno
6. presa

1. unidad
2. cable
3. fuente de alimentación
4. enchufe de transformador
5. temporizador externo
6. toma

1. unidade
2. cabo
3. fonte de alimentação
4. transformador ficha
5. temporizador externo
6. tomada

# Operating the pool cleaner

1. Outlet, Top and propeller
2. Pump Motor
3. Drive Motor
4. Handle Locking Bracket
5. Drive Assembly
6. Drive Belt
7. Drive Track
8. Body Assembly
9. Filter Screen
10. Side Plate
11. PVA Brushes
12. Filter Bag
13. Bottom Lid Assembly
14. Handle Assembly
15. Cable Assembly
16. Power Supply (Transformer)
17. Transformer Socket
18. Wheel Tube Assembly
19. "OFF" button
20. LED
21. "ON" button
22. Power Cord (Outlet)
23. Intake Valve Flaps
24. Lock Tabs

